



POWERTRAIN CONTROL SOLUTIONS
Engineering the future of driveline control.

PCS 4LHD/4LHDX PARTS AND ACCESSORIES

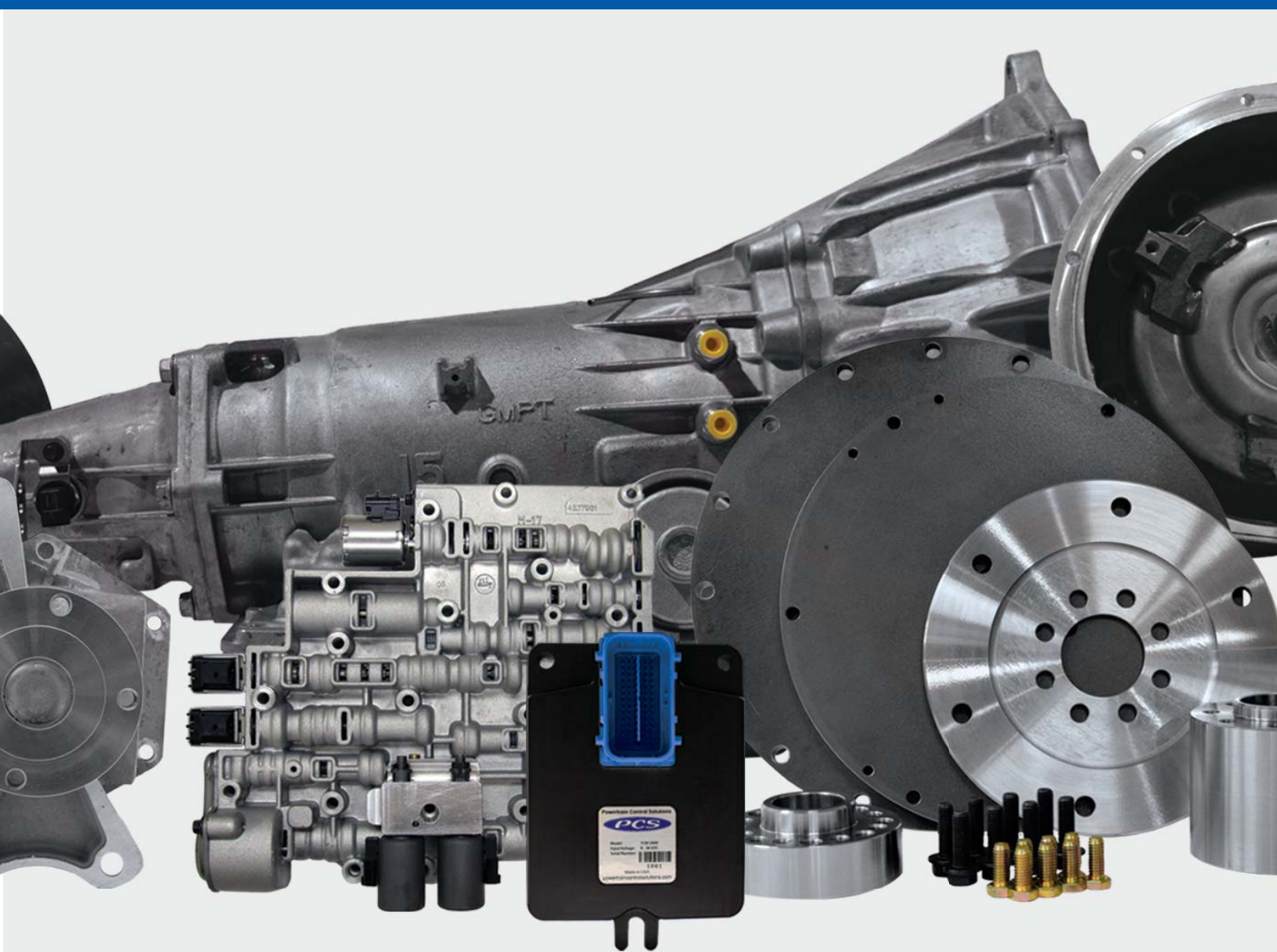


Table of Contents

Section 1: 4LHD/4LHDX Parts and Accessories	1 - 19
PCS GM 4-Speed Offerings.....	1 - 2
4LHD/4LHDX Engine Adapters	3 - 7
Ford Adapter Kit	3
Deutz Adapter Kit	4
Cummins Adapter Kit	5
Perkins Adapter Kit	6
Kubota Adapter Kit	7
4LHD/4LHDX Flexplate and Torque Converters	8
4LHD/4LHDX Bellhousings	9 - 11
SAE3 Bellhousing with Adapter	9
SAE4 Bellhousing with Adapter	10
SAE5 Bellhousing with Adapter	11
4LHD/4LHDX Hardware.....	12
4LHD/4LHDX Parking Brake.....	13 - 15
Full Exploded View	13
Caliper Orientation Options.....	14
Caliper Exploded View.....	15
4LHD/4LHDX Mid-Transmission Accessories	16 - 17
4LHD/4LHDX TPS Kit	18
4LHD/4LHDX TPS Adapter Kit	19
Section 2: 4LC6 Parts and Accessories	20 - 23
4LC6 Transmission Package.....	20
4LC6 Mid-Transmisison Accessories	21 - 22
C6 Drum Brake.....	23
Section 3: Service Parts	24 - 38
Transmission Reseal Kit.....	24
Transmission Rebuild Kit.....	25
Transmission Master Rebuild Kit.....	26
Valve Body Components	27 - 30
Case and External Components	31 - 32
Pump Assembly Components	33 - 34
Internal Components.....	35 - 38

Revision History

10/30/2015 - v.2.0: Addition of Kubota Engine Adapter Kit and SAE5 Bellhousing with Adapter
12/19/2016 - v 3.0: Addition of Section 2, C6 4LC6 Parts and Accessoreis and Section 3, Service Parts

SECTION 1
4LHD/4LHDX PARTS
AND ACCESSORIES

PCS GM 4-Speed Industrial Offerings

PCS offers two models of the GM 4-speed. Both the 4LHD and the 4LHDX models are enhanced versions of the GM 4L60/70 transmissions that have been in production since 1993.



The 4LHD is validated for gas and diesel applications up to 340Nm (250 ft-lbs) of engine torque. Its features and enhancements over a stock 4L60 include:

- **ALL NEW** – Produced using GM approved production processes and quality control
- Unique valve body and spacer plate calibrations for the harsh, industrial market
- Abuse Protection System (APS) Valvebody Assembly (Patent Pending) to prevent operator induced premature transmission and vehicle wear
- Heat-treated stator shaft splines
- 258mm Torque converter with lockup clutch
- Induction and/or heat treated input/output shafts
- Internal input speed sensor (shift performance/control, Diagnostics)
- Internal Mode Switch (IMS)
- Heavier-duty low/reverse roller clutch
- 7-plate 3-4 clutch
- Heavy-duty, needle-type thrust bearings
- Hardened reaction sun gear shell



The 4LHDX is validated for gas and diesel applications up to 542 Nm (400 ft-lbs) engine torque. It includes all of the features described above plus:

- Induction hardened turbine shaft/output splines
- Output shaft includes process improvements for longer fatigue life
- 300mm torque converter with lockup clutch
- Five-pinion input and reaction gear sets

VALVE BODY FEATURES

Abuse Protection (GEN II and GEN III Valve Bodies)

Often times the operator causes the most damage to the transmission, reducing the service life and causing costly repairs and downtime. The PCS 4-speed abuse protection valve body protects the transmission by locking out reverse engagement until the vehicle is stopped and the engine is at idle. It also prevents “neutral drops” by only engaging the forward gears when the engine is at idle.

Electronic Range (GEN III Valve Body)

Eliminate the shift cable and shift the transmission electronically with a push of a button or movement of a lever. Driver inputs can be validated based on vehicle modes and conditions so the vehicle is operated within standard operating protocols. Also eliminate transmission failures due to the shift cable not adjusted properly.

Inching (GEN III Valve Body)

The PCS inching valve body allows the operator to move the vehicle forward or backward in small increments from an operator’s panel remotely mounted on the vehicle. This greatly reduces time when connecting to trailers or other equipment and makes the operation more efficient for one person.

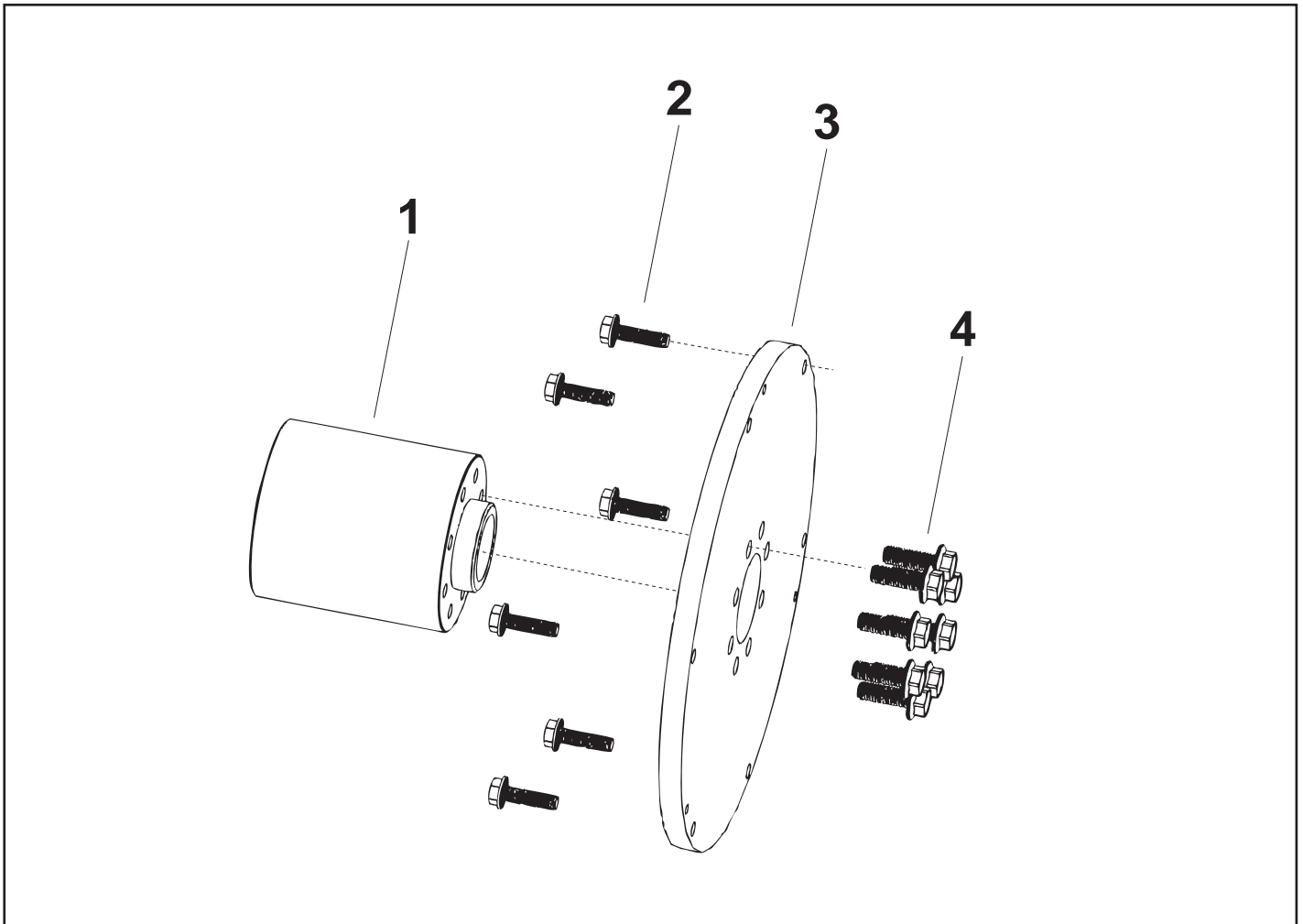
PCS 4LHD/4LHDX Parts and Accessories

PCS Part #	New/Reman	Valve Body	Bellhousing	Model	Output
TRN4240	New	Gen 2	GM	4LHD	2WD
TRN5240	Reman	Gen 2	GM	4LHD	2WD
TRN4245	New	Gen 3	GM	4LHD	2WD
TRN5245	Reman	Gen 3	GM	4LHD	2WD
TRN4242	New	Gen 2	SAE4	4LHD	2WD
TRN5242	Reman	Gen 2	SAE4	4LHD	2WD
TRN4247	New	Gen 3	SAE4	4LHD	2WD
TRN5247	Reman	Gen 3	SAE4	4LHD	2WD
TRN4261	New	Gen 2	C6	4LHD	2WD
TRN5261	Reman	Gen 2	C6	4LHD	2WD
TRN4262	New	Gen 3	C6	4LHD	2WD
TRN5262	Reman	Gen 3	C6	4LHD	2WD
TRN4440	New	Gen 2	GM	4LHD	4WD
TRN5440	Reman	Gen 2	GM	4LHD	4WD
TRN4445	New	Gen 3	GM	4LHD	4WD
TRN5445	Reman	Gen 3	GM	4LHD	4WD
TRN4442	New	Gen 2	SAE4	4LHD	4WD
TRN5442	Reman	Gen 2	SAE4	4LHD	4WD
TRN4447	New	Gen 3	SAE4	4LHD	4WD
TRN5447	Reman	Gen 3	SAE4	4LHD	4WD
TRN4461	New	Gen 2	C6	4LHD	4WD
TRN5461	Reman	Gen 2	C6	4LHD	4WD
TRN4462	New	Gen 3	C6	4LHD	4WD
TRN5462	Reman	Gen 3	C6	4LHD	4WD
TRN4260	New	Gen 2	C6	4LHD	C6
TRN5260	Reman	Gen 2	C6	4LHD	C6
TRN4265	New	Gen 3	C6	4LHD	C6
TRN5265	Reman	Gen 3	C6	4LHD	C6
TRN4263	New	Gen 2	GM	4LHD	C6
TRN5263	Reman	Gen 2	GM	4LHD	C6
TRN4264	New	Gen 3	GM	4LHD	C6
TRN5264	Reman	Gen 3	GM	4LHD	C6
TRN4266	New	Gen 2	SAE4	4LHD	C6
TRN5266	Reman	Gen 2	SAE4	4LHD	C6
TRN4267	New	Gen 3	SAE4	4LHD	C6
TRN5267	Reman	Gen 3	SAE4	4LHD	C6
TRN4255	New	Gen 2	GM	4LHDX	2WD
TRN5255	Reman	Gen 2	GM	4LHDX	2WD
TRN4257	New	Gen 3	GM	4LHDX	2WD
TRN5257	Reman	Gen 3	GM	4LHDX	2WD
TRN4230	New	Gen 2	SAE4	4LHDX	2WD
TRN5230	Reman	Gen 2	SAE4	4LHDX	2WD
TRN4231	New	Gen 3	SAE4	4LHDX	2WD
TRN5231	Reman	Gen 3	SAE4	4LHDX	2WD
TRN4455	New	Gen 2	GM	4LHDX	4WD
TRN5455	Reman	Gen 2	GM	4LHDX	4WD
TRN4457	New	Gen 3	GM	4LHDX	4WD
TRN5457	Reman	Gen 3	GM	4LHDX	4WD
TRN4430	New	Gen 2	SAE4	4LHDX	4WD
TRN5430	Reman	Gen 2	SAE4	4LHDX	4WD
TRN4431	New	Gen 3	SAE4	4LHDX	4WD
TRN5431	Reman	Gen 3	SAE4	4LHDX	4WD

4LHD/4LHDX Engine Adapter Kits

Ford Adapter Kit

PCS Part #	Description	Contents
TRN8205	SAE4 to Ford DSG-425 Engine Adapter Kit	1-4, unassembled

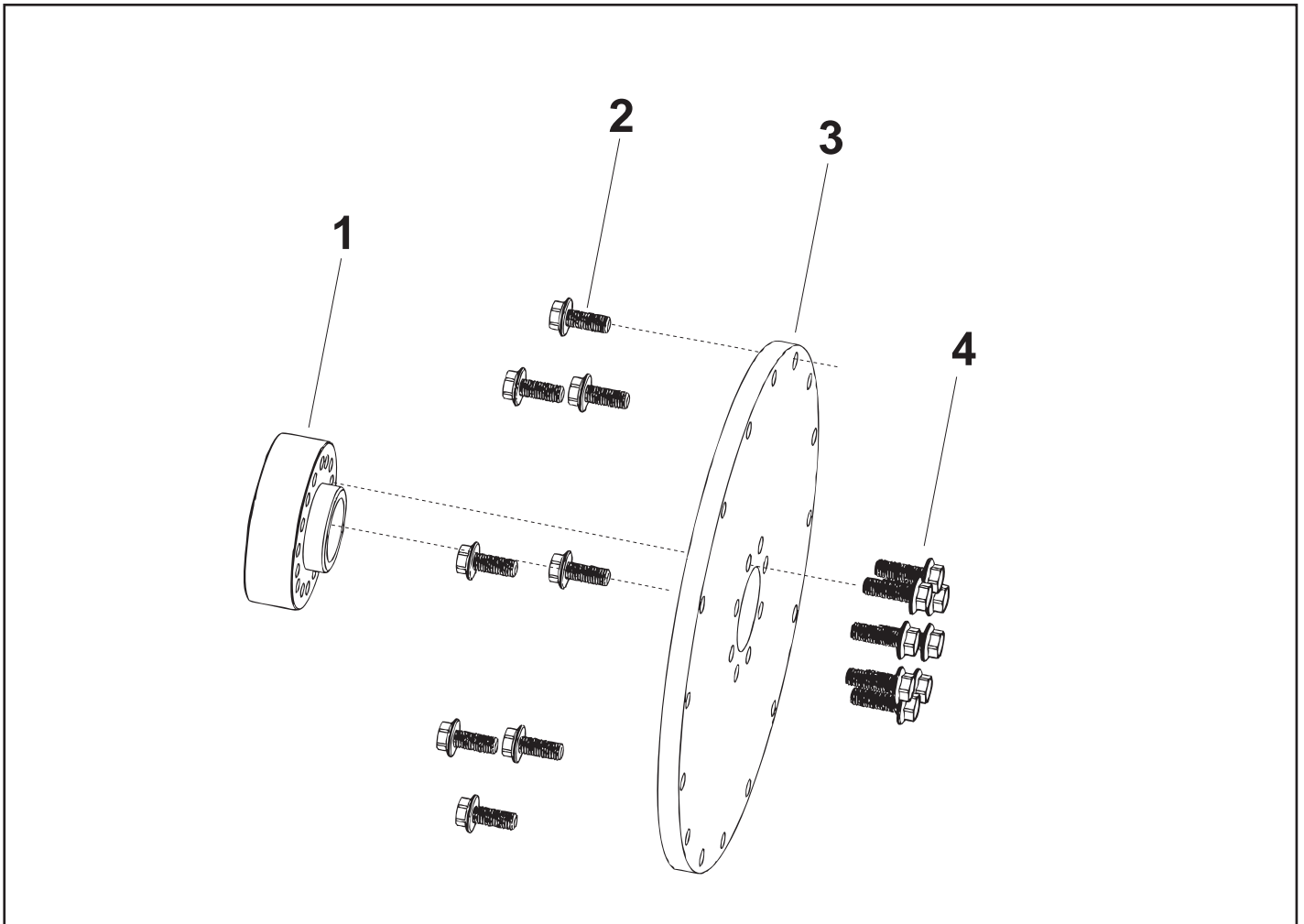


Ref	PCS Part #	Description	Qty
1	TRN7002	Ford SAE4 Spacer (258mm Converter)	1
2	TRN7522	M8x1.25x25mm Flanged Bolt	6
3	TRN7003	Ford Flywheel Adapter	1
4	TRN7501	M10x1.5x30mm Flanged Bolt	8

4LHD/4LHDX Engine Adapter Kits

Deutz/Kubota Adapter Kit

PCS Part #	Description	Contents
TRN8200	SAE4 to Deutz D2.9L Engine Adapter Kit	1-4, unassembled

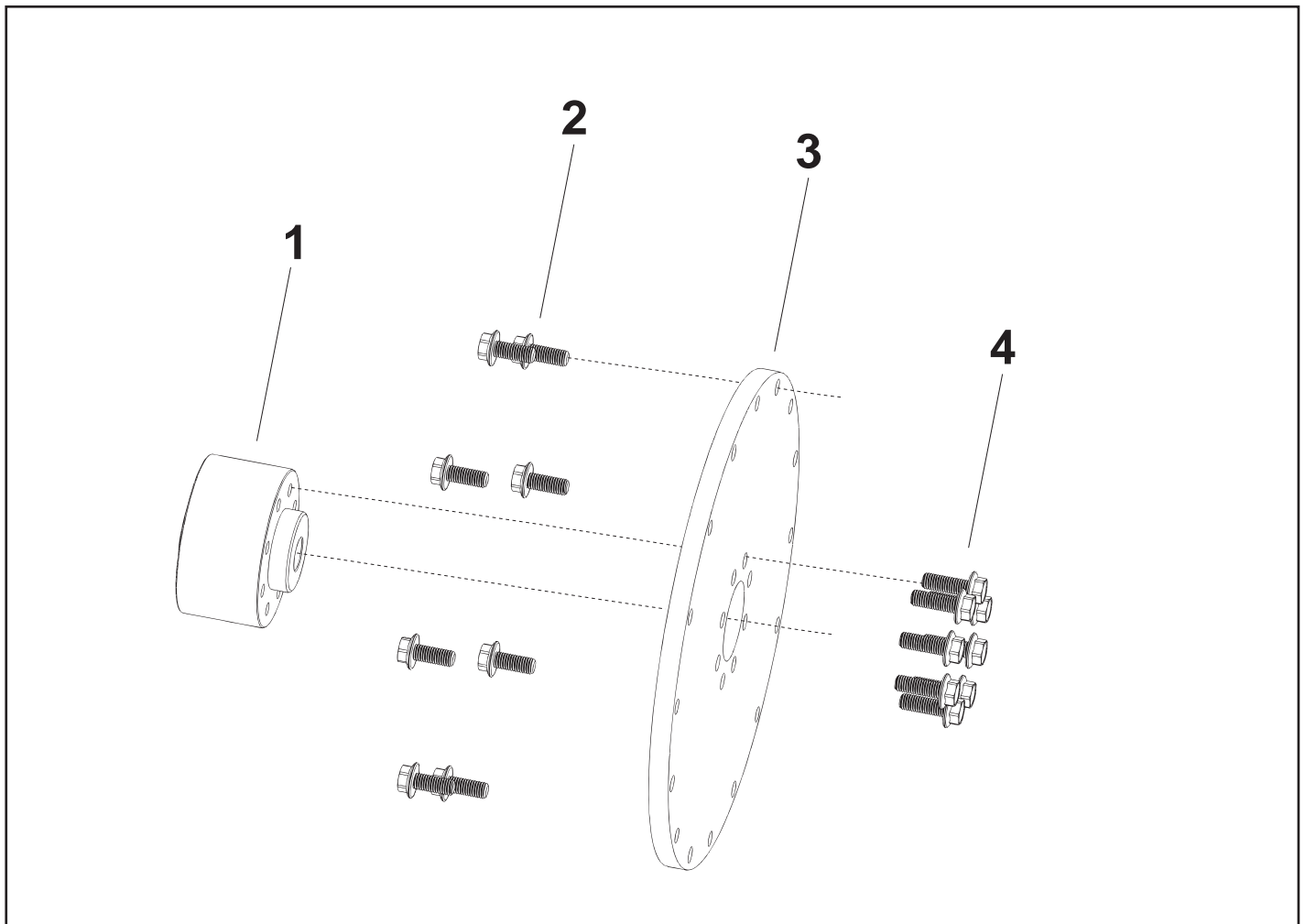


Ref	PCS Part #	Description	Qty
1	TRN7000	Deutz SAE4 Spacer (258mm Converter)	1
2	TRN7500	M10x1.5x25mm Flanged Bolt	8
3	TRN7001	Deutz Flywheel Adapter	1
4	TRN7501	M10x1.5x30mm Flanged Bolt	8

4LHD/4LHDX Engine Adapter Kits

Cummins Adapter Kit

PCS Part #	Description	Contents
TRN8410	SAE4 to Cummins B3.3 Engine Adapter Kit	1-4, unassembled



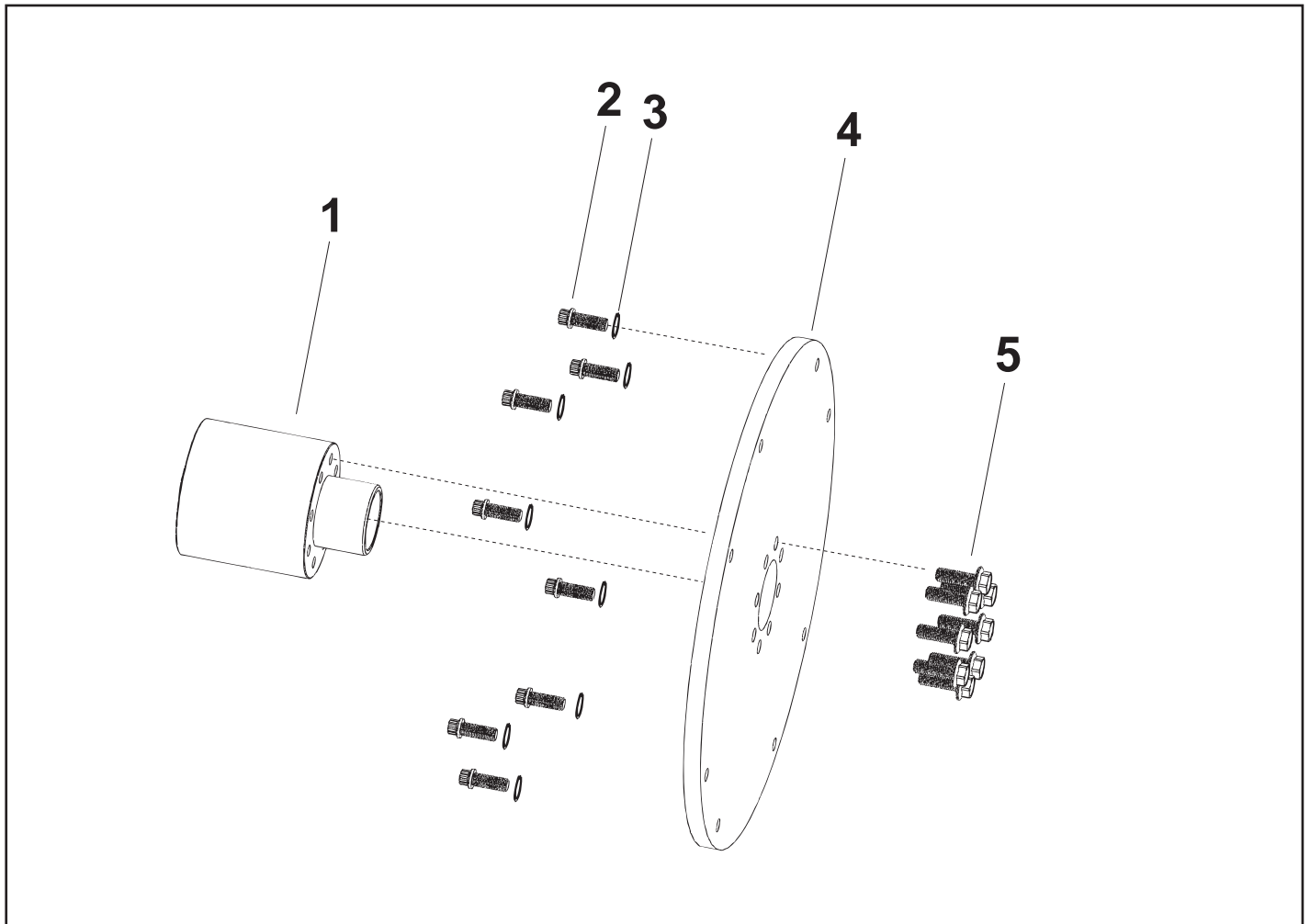
Ref	PCS Part #	Description	Qty
1	TRN7017	Cummins SAE4 Spacer (258mm Converter)	1
2	TRN7500	M10x1.5x25mm Flanged Bolt	8
3	TRN7001	Deutz/Kubota Flywheel Adapter	1
4	TRN7501	M10x1.5x30mm Flanged Bolt	8

4LHD/4LHDX Engine Adapter Kits

Perkins Adapter Kit

PCS Part #	Description	Contents
TRN8300	SAE3 to Perkins 1104C Engine Adapter Kit	Items 1-5, unassembled

Note: This adapter will only work with the Perkins C0002 flywheel housing (SAE3, 5.32" Deep) and the Perkins D0006 flywheel (for 12/13 in American Borg & Beck clutches).

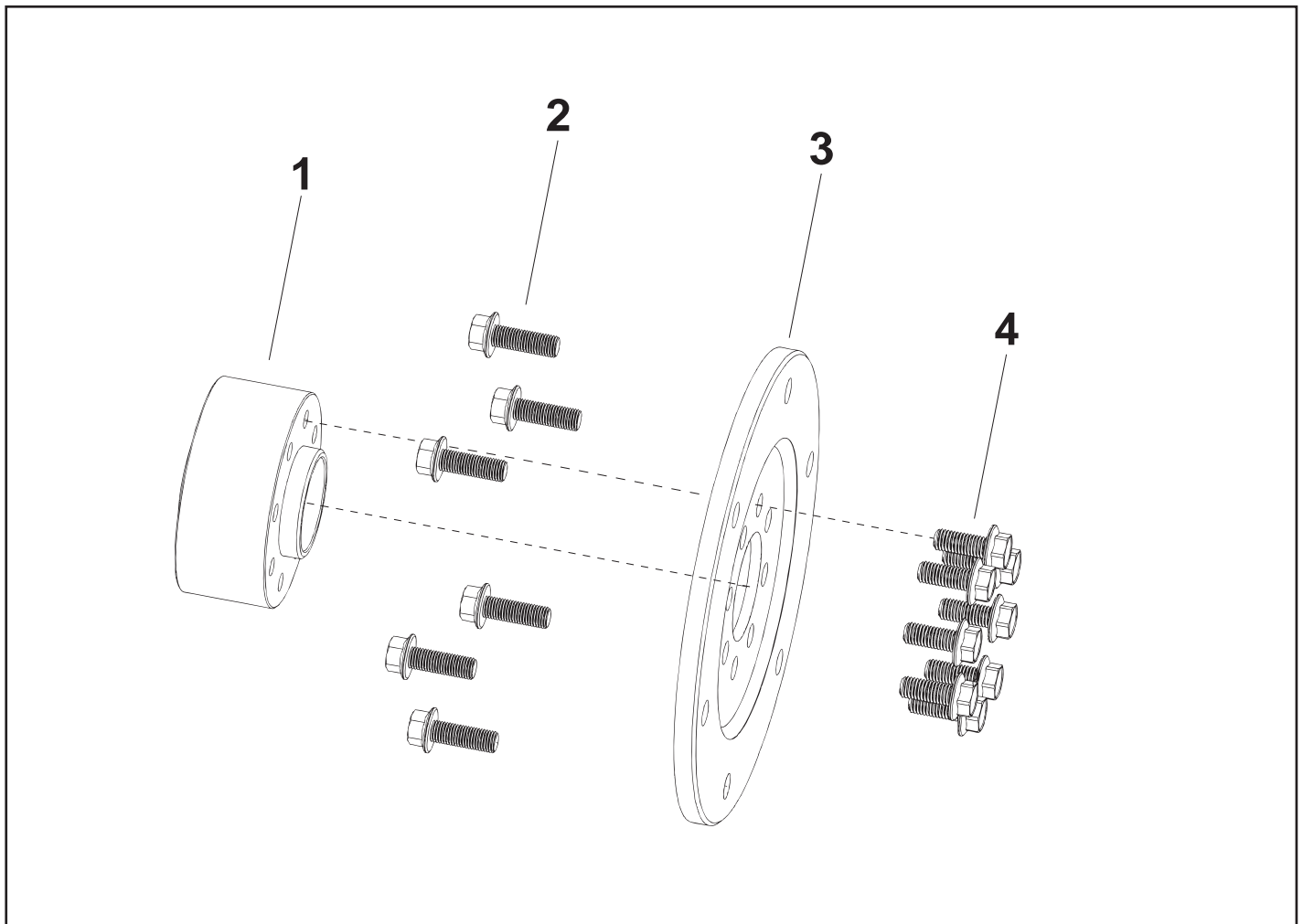


Ref	PCS Part #	Description	Qty
1	TRN7004	Perkins SAE3 Spacer (300mm Converter)	1
2	TRN7514	3/8-24x1.00" Flanged Bolt	8
3	TRN7515	3/8" Washer	8
4	TRN7005	Perkins Flywheel Adapter	1
5	TRN7501	M10x1.5x30mm Flanged Bolt	8

4LHD/4LHDX Engine Adapter Kits

Kubota Adapter Kit



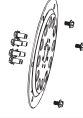
PCS Part #	Description	Contents
TRN8215	SAE5 to Kubota WG2503	1-4, unassembled

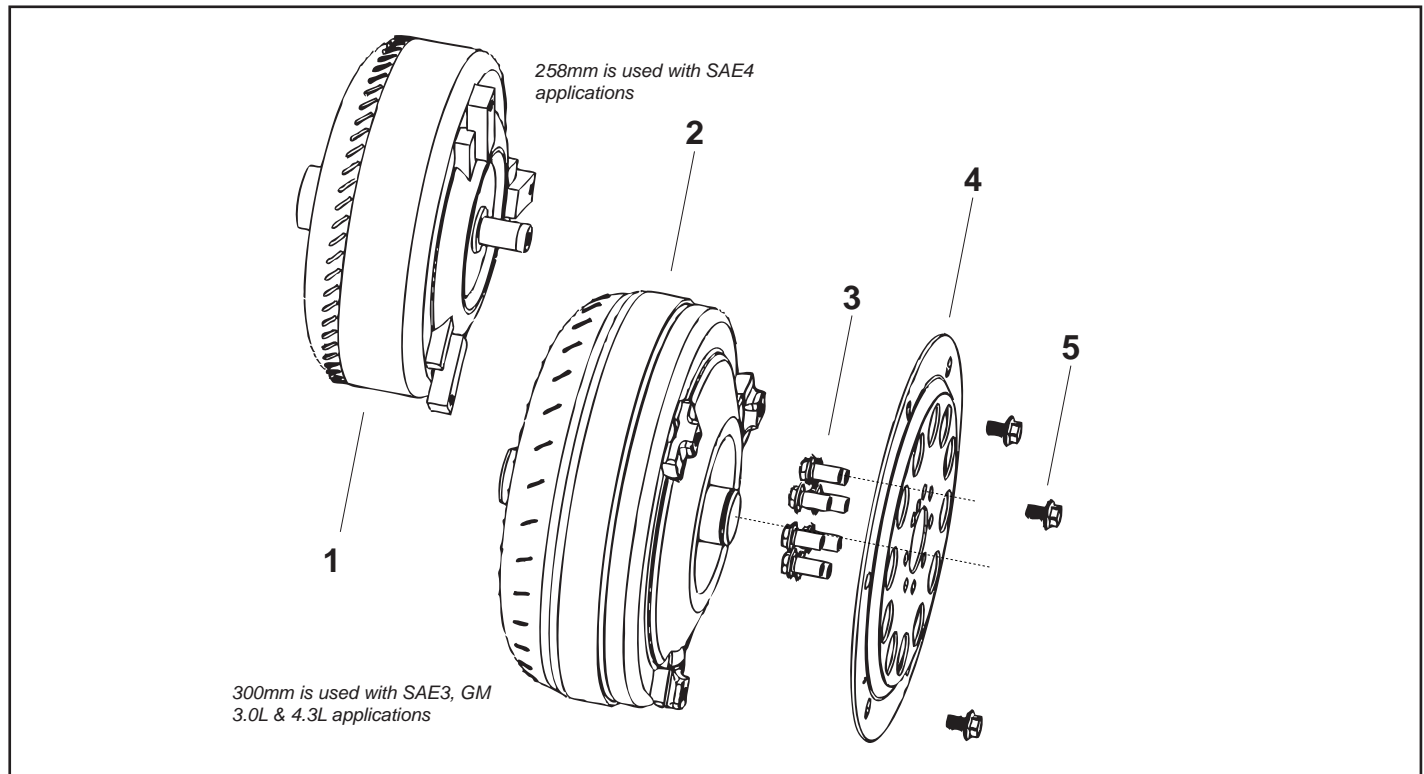


Ref	PCS Part #	Description	Qty
1	TRN7019	Kubota WG2503 SAE5 Spacer (258mm Converter)	1
2	TRN7535	M10x1.25x25mm Flanged Bolt	6
3	TRN7020	Kubota Flywheel Adapter	1
4	TRN7501	M10x1.5x30mm Flanged Bolt	8

4LHD/4LHDX Flexplate and Torque Converters

We offer two torque converters, 258mm and 300mm. The 258mm torque converter is used in SAE4 applications while the 300mm torque converter is used in SAE3 and GM 3.0L/4.3L applications.

PCS Part #	Description	Contents	
TRN8350	GM Flexplate Kit - Metric 8-Bolt (300mm and 258mm)	3-5, unassembled	
TRN8351	GM Flexplate Kit - Standard 6-Bolt for GM 4.3L (300mm)	3-5, unassembled	
TRN8352	GM Flexplate Kit - Standard 6-Bolt for GM 3.0L (300mm)	3-5, unassembled	

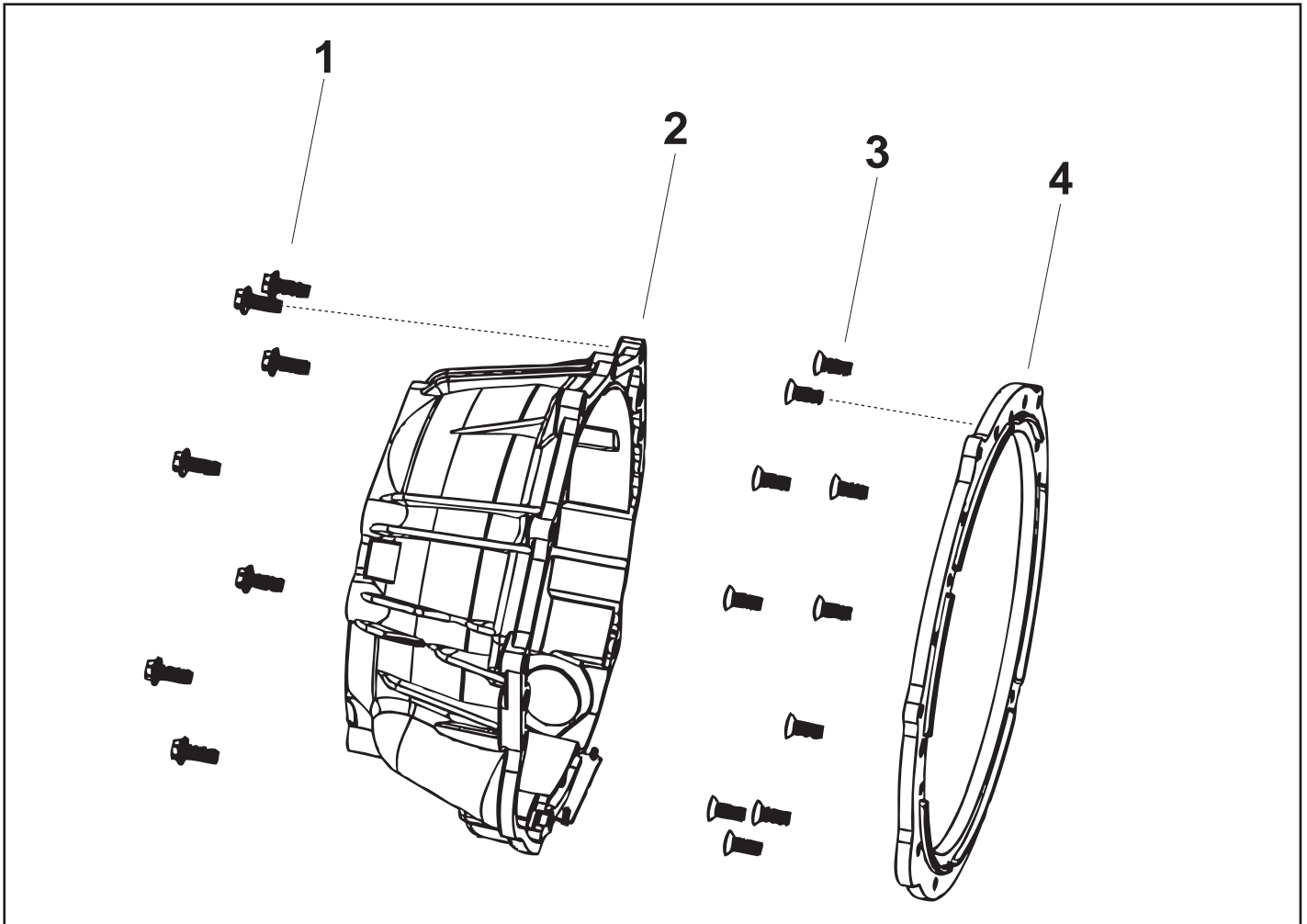
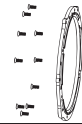


Ref	PCS Part #	Description	Qty
1	TRN7600	258mm Torque Converter	1
2	TRN7610	300mm Torque Converter	1
3	TRN7502	M11x1.25x29mm Flanged Bolt (Metric Kits)	6
3	TRN7530	7/16-20x45/64" Flanged Bolt (Standard Kits)	8
4	TRN7007	GM Flexplate (Metric 8-Bolt, 300mm & 258mm)	1
4	TRN7620	GM Flexplate for GM 4.3L (Standard 6-bolt with counter weight and ring gear)	1
4	TRN7630	GM Flexplate for GM 3.0L (Standard 6-bolt with ring gear)	1
5	TRN7503	M10x1.5x22mm Flanged Bolt	3

4LHD/4LHDX Bellhousings

SAE3 Bellhousing with Adapter

PCS Part #	Description	Contents
TRN8373	GM LS to SAE3 Bellhousing Adapter Kit	3-4, unassembled

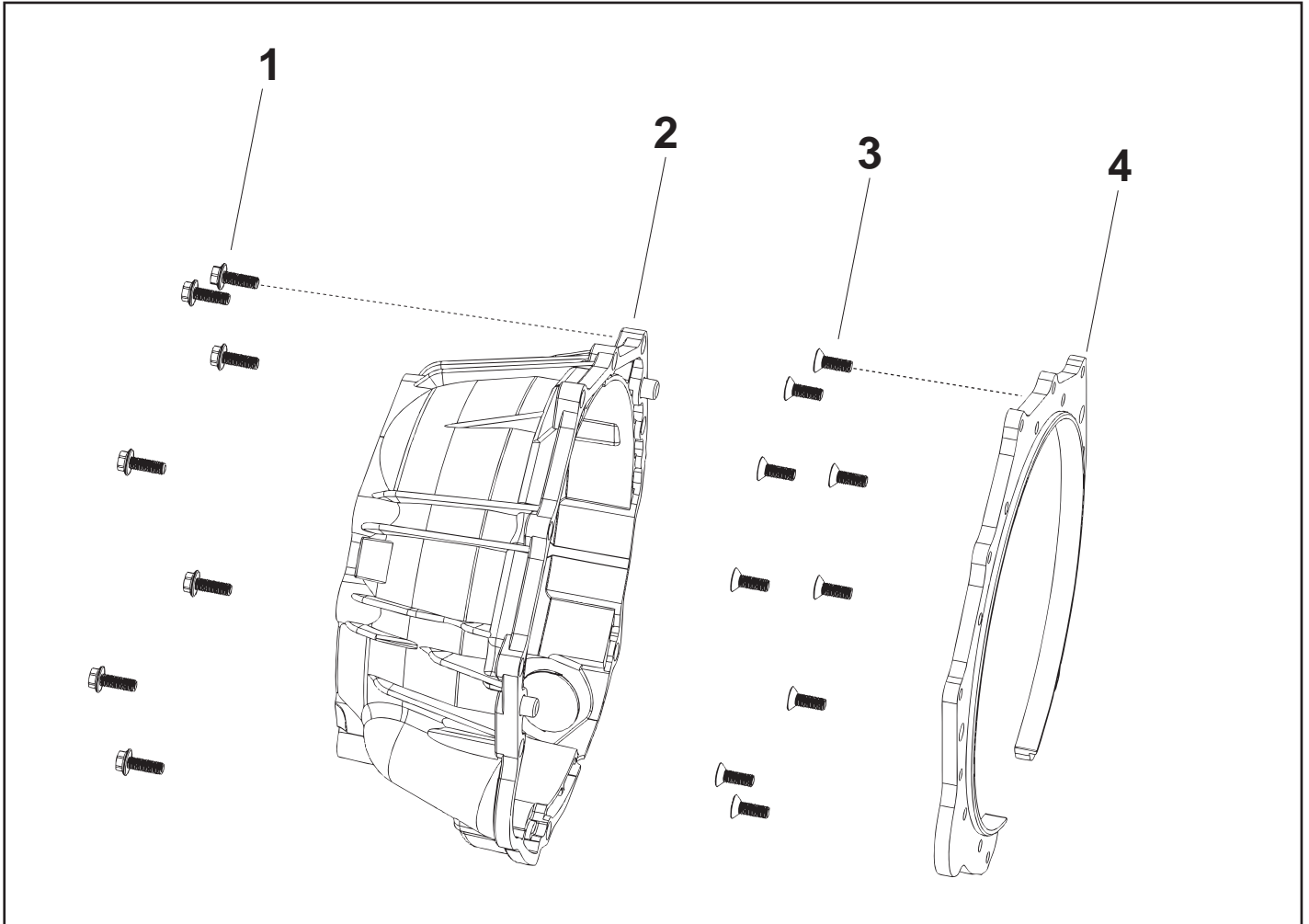


Ref	PCS Part #	Description	Qty
1	TRN7501	M10x1.5x30mm Flanged Bolt	7
2	BEL2403	LS Bellhousing	1
3	TRN7513	M10x1.5x30mm FHCS Bolt	10
4	TRN7015	LS to SAE3 Adapter	1

4LHD/4LHDX Bellhousings

SAE4 Bellhousing with Adapter

PCS Part #	Description	Contents
TRN8374	GM LS to SAE4 Bellhousing Adapter Kit	3-4, unassembled

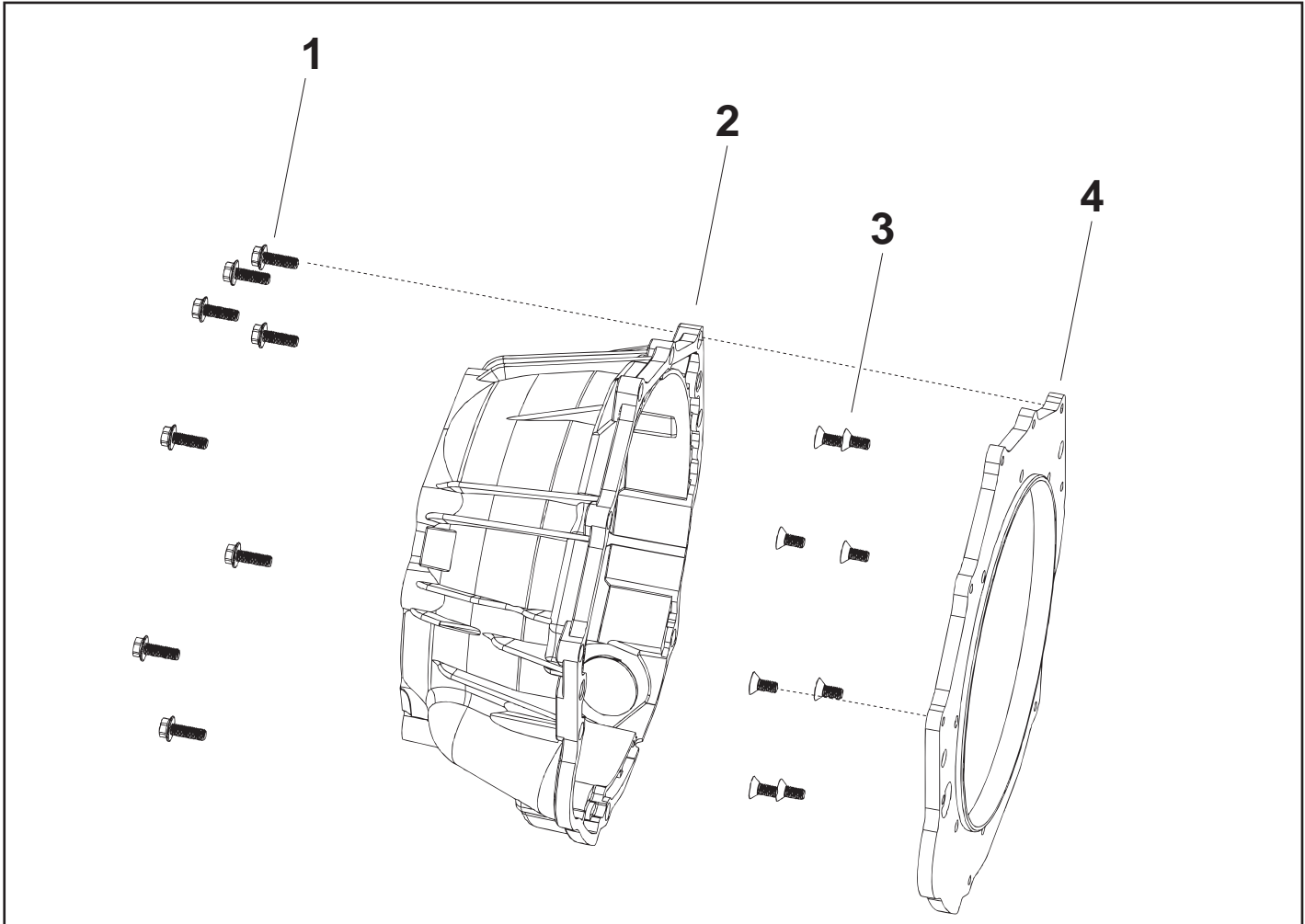
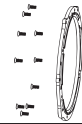


Ref	PCS Part #	Description	Qty
1	TRN7501	M10x1.5x30mm Flanged Bolt	7
2	BEL2403	LS Bellhousing	1
3	TRN7513	M10x1.5x30mm FHCS Bolt	9
4	TRN7016	LS Adapter	1

4LHD/4LHDX Bellhousings



SAE5 Bellhousing with Adapter

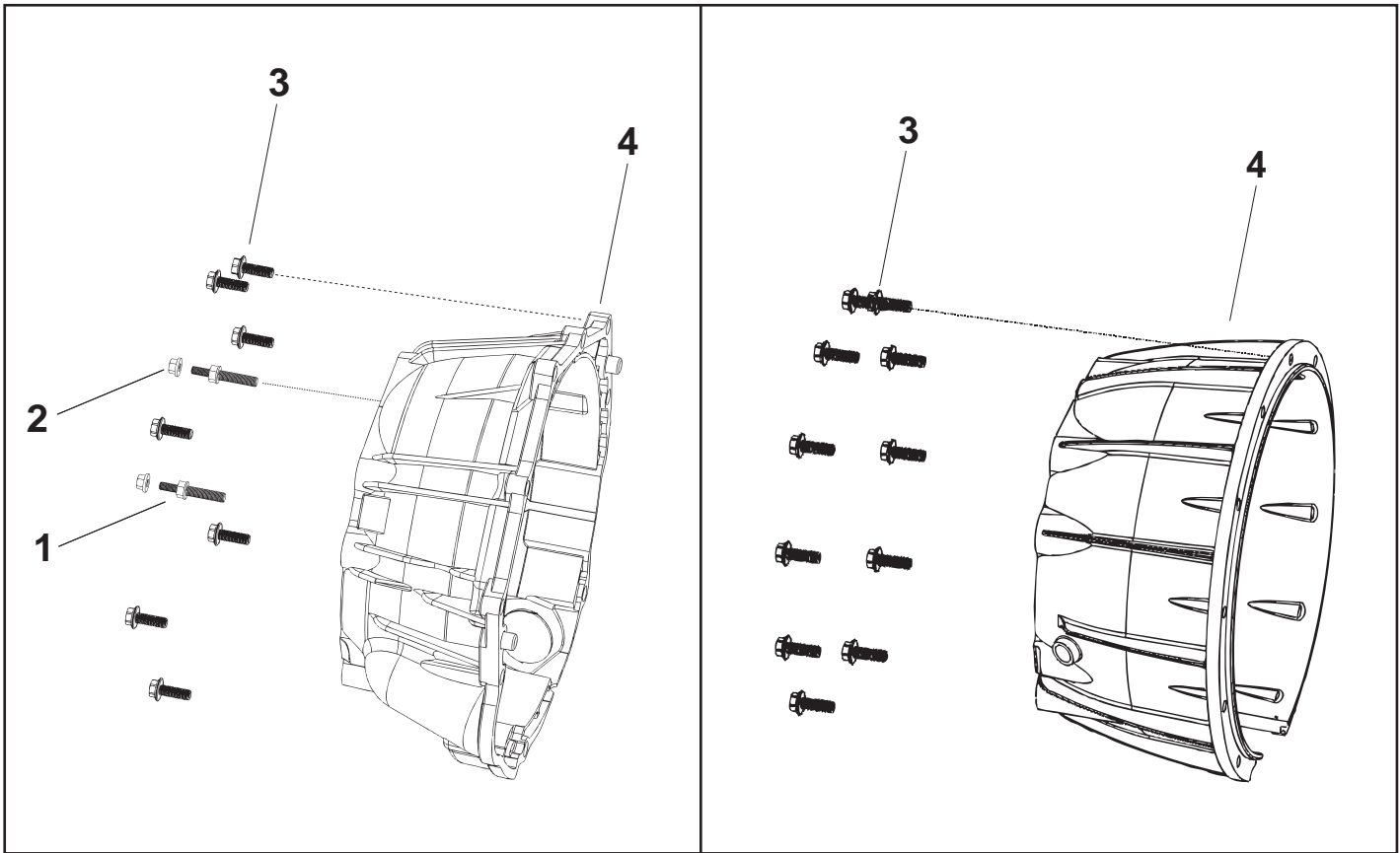
PCS Part #	Description	Contents
TRN8375	GM LS to SAE5 Bellhousing Adapter Kit	3-4, unassembled



Ref	PCS Part #	Description	Qty
1	TRN7501	M10x1.5x30mm Flanged Bolt	7
2	BEL2403	LS Bellhousing	1
3	TRN7513	M10x1.5x30mm FHCS Bolt	8
4	TRN7018	LS Adapter	1

4LHD/4LHDX Hardware

PCS Part #	Description	Contents
TRN8330	GM 4-Speed Metric Hardware Kit	1-3, unassembled 
TRN8335	GM 4-Speed Standard Hardware Kit	1-3, unassembled 

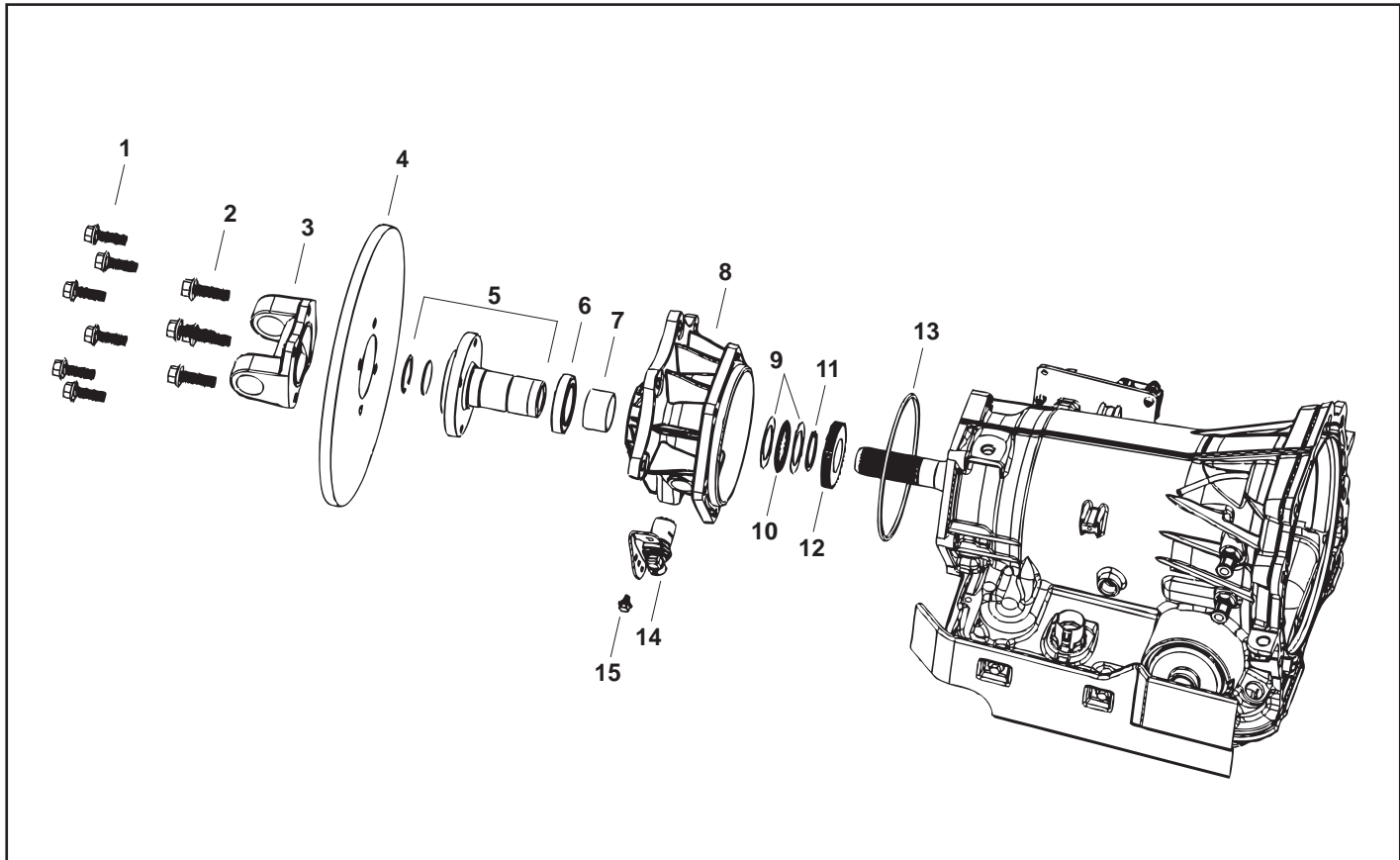
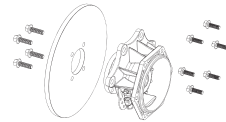


Ref	PCS Part #	Description	Qty
1	TRN7519	M8x1.125x20 Flanged Stud (Metric Kit)	2
1	TRN7650	3/8"-16x1.38" Flanged Stud (Standard Kit)	2
2	TRN7518	M8 Cinch Nut	2
3	TRN7501	M10x1.5x30mm Flanged Bolt (Metric Kit)	11
3	TRN7652	3/8"-16x1.38 Flanged Bolt (Standard Kit)	11
4	BEL2403	LS Bellhousing	1
4	BEL2404	SAE4 Bellhousing	1

4LHD/4LHDX Parking Brake

Full Exploded View

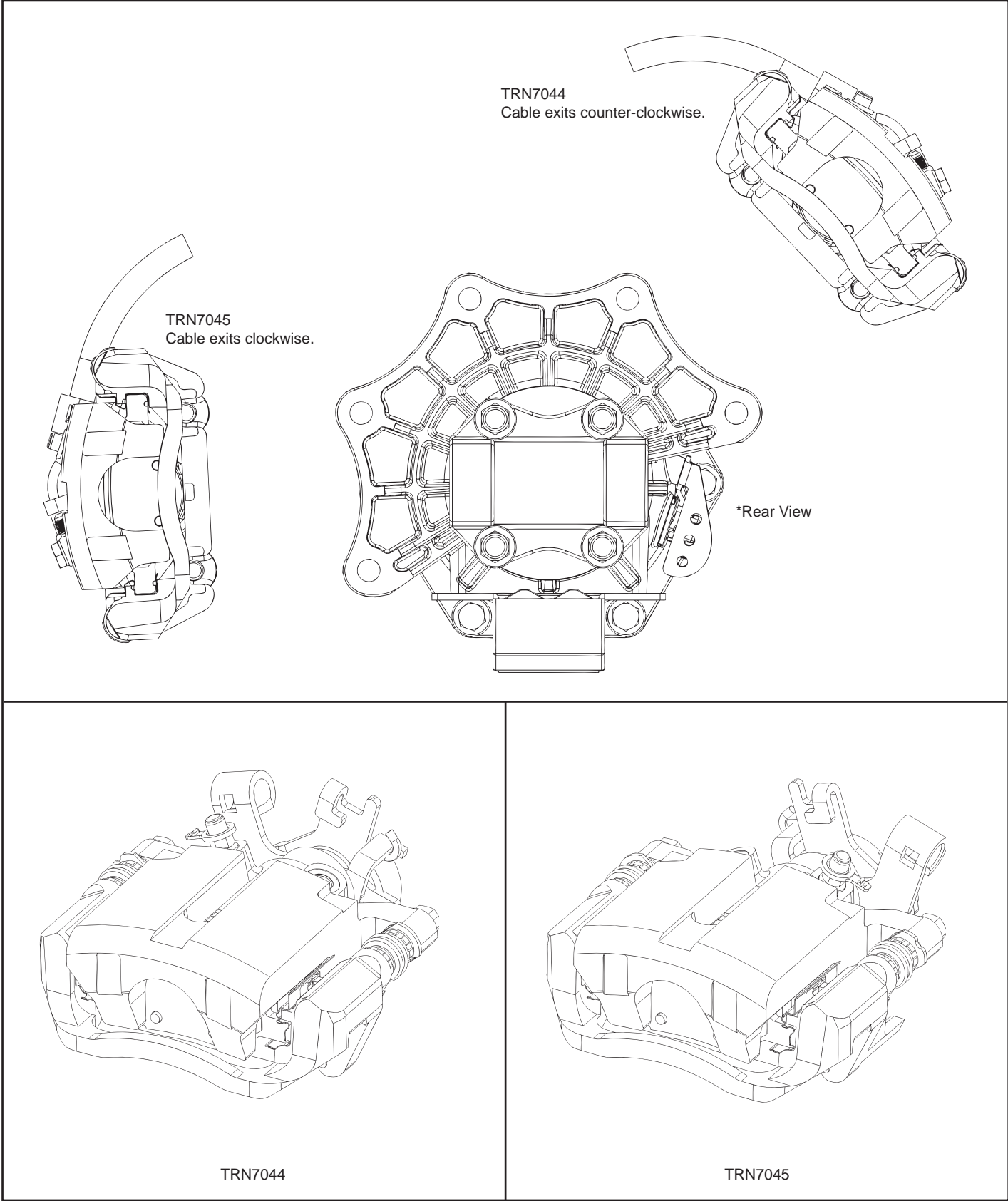
PCS Part #	Description	Contents
BRK2000	Parking Brake Kit	1,2,4-15 *Caliper sold separately



Ref	PCS Part #	Description	Qty
1	TRN0051	M10x1.50x35mm Hex Flanged Bolt	6
2	TRN7511	7/16-14 x1.50" Flanged Bolt	4
3	N/A	Universal Joint	1
4	BRK0210	Parking Brake Disk	1
5	TPB5010	PCS Adapter Yoke	1
6	TRN7063	Sealed Ball Bearing, 62x40x10mm	1
7	TRN7061	4L70 Sleeve Bushing	1
8	BRK0200	Brake Housing	1

Ref	PCS Part #	Description	Qty
9	TRN7065	Thrust Washer 0.32"	2
10	TRN7064	Thrust Needle Roller Bearing 1.5ID	1
11	TRN7066	Snap Ring External 1.5"	1
12	TPB5011	PCS Speed Gear	1
13	TRN7062	4L70 Housing Seal	1
14	TRN7060	4L70 Speed Sensor	1
15	TRN7521	M6x1.00x10mm Hex Flg Bolt	1

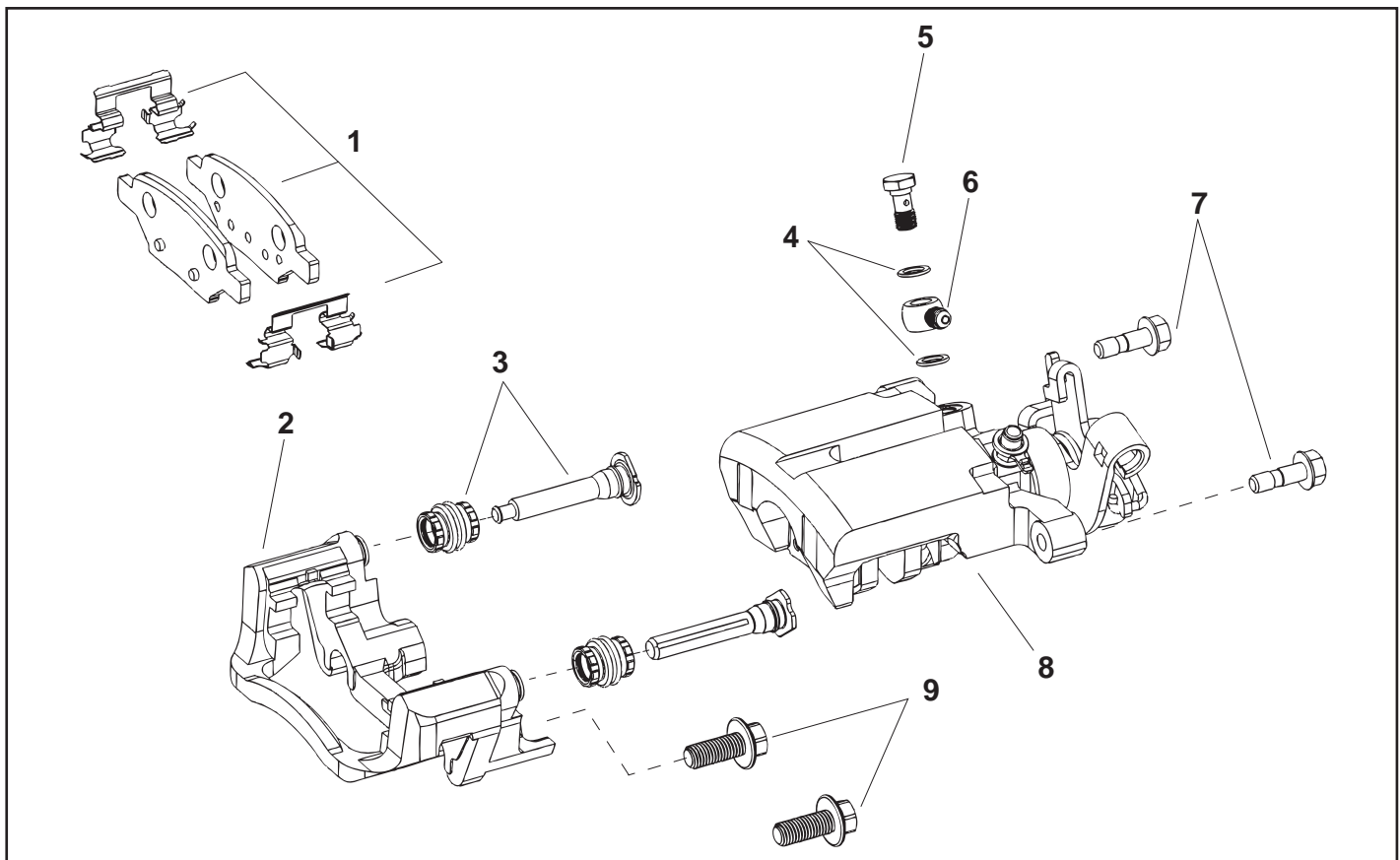
4LHD/4LHDX Parking Brake
Caliper Orientation Options



4LHD/4LHDX Parking Brake



Caliper Exploded View

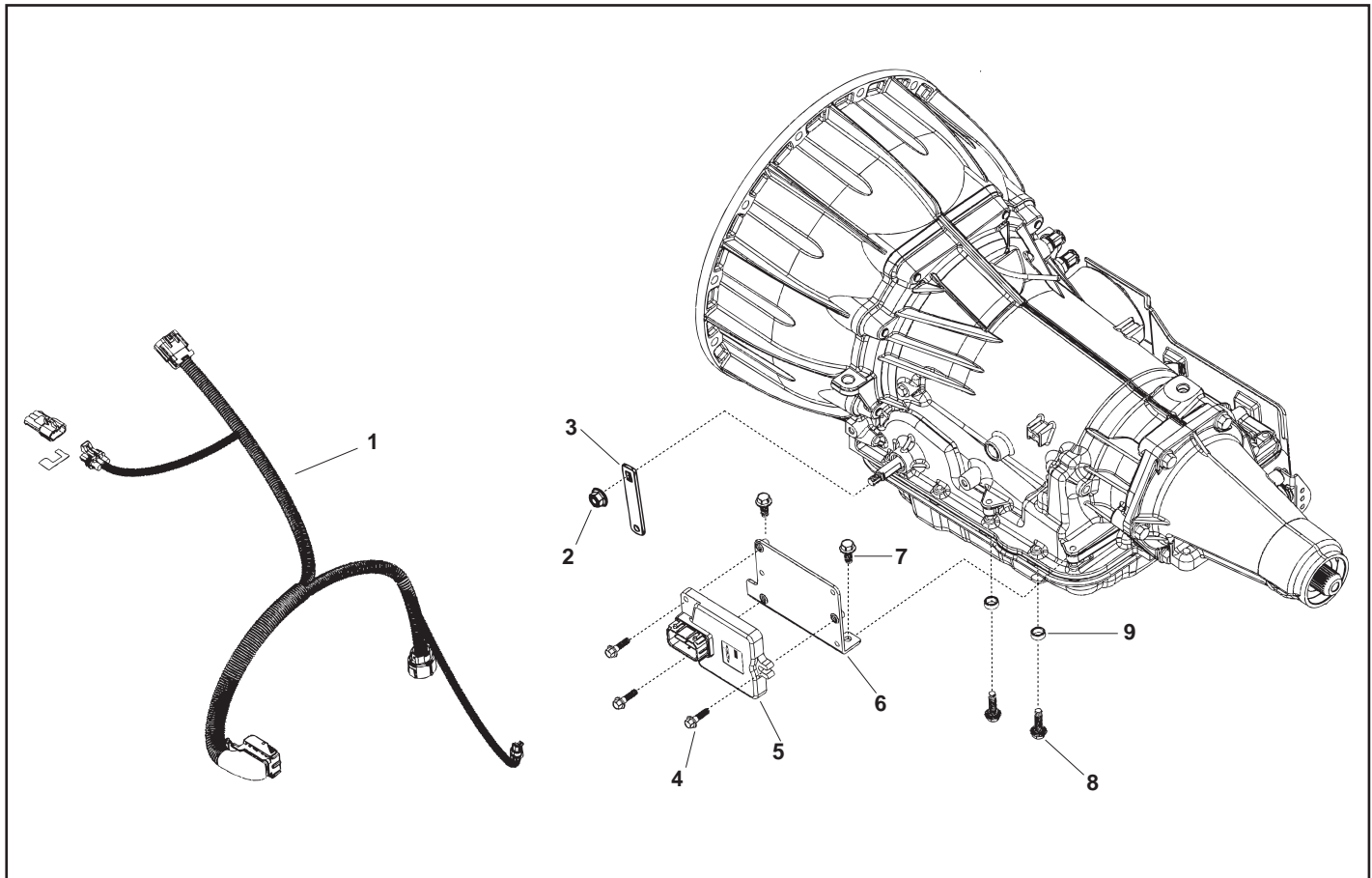
PCS Part #	Description	Contents
TRN7044	Left Caliper Kit	1-9 assembled
TRN7045	Right Caliper Kit	1-9 assembled



Ref	PCS Part #	Description	Qty
1	TRN7056	Disc Brake Pads & Clips	1
2	TRN7051	Left Caliper Mounting Bracket	1
2	TRN7054	Right Caliper Mounting Bracket	1
3	TRN7057	Pin Kit	1
4	TRN7058	Banjo Bolt Washers	2
5	TRN7059	Banjo Bolt	1
6	TRN7067	Banjo Fitting	1
7	TRN7068	Bolt for Pin	2
8	TRN7052	Left Caliper	1
8	TRN7055	Right Caliper	1
9	TRN7512	M12x1.75x30mm Flanged Bolt	2

4LHD/4LHDX Mid-Transmission Accessories

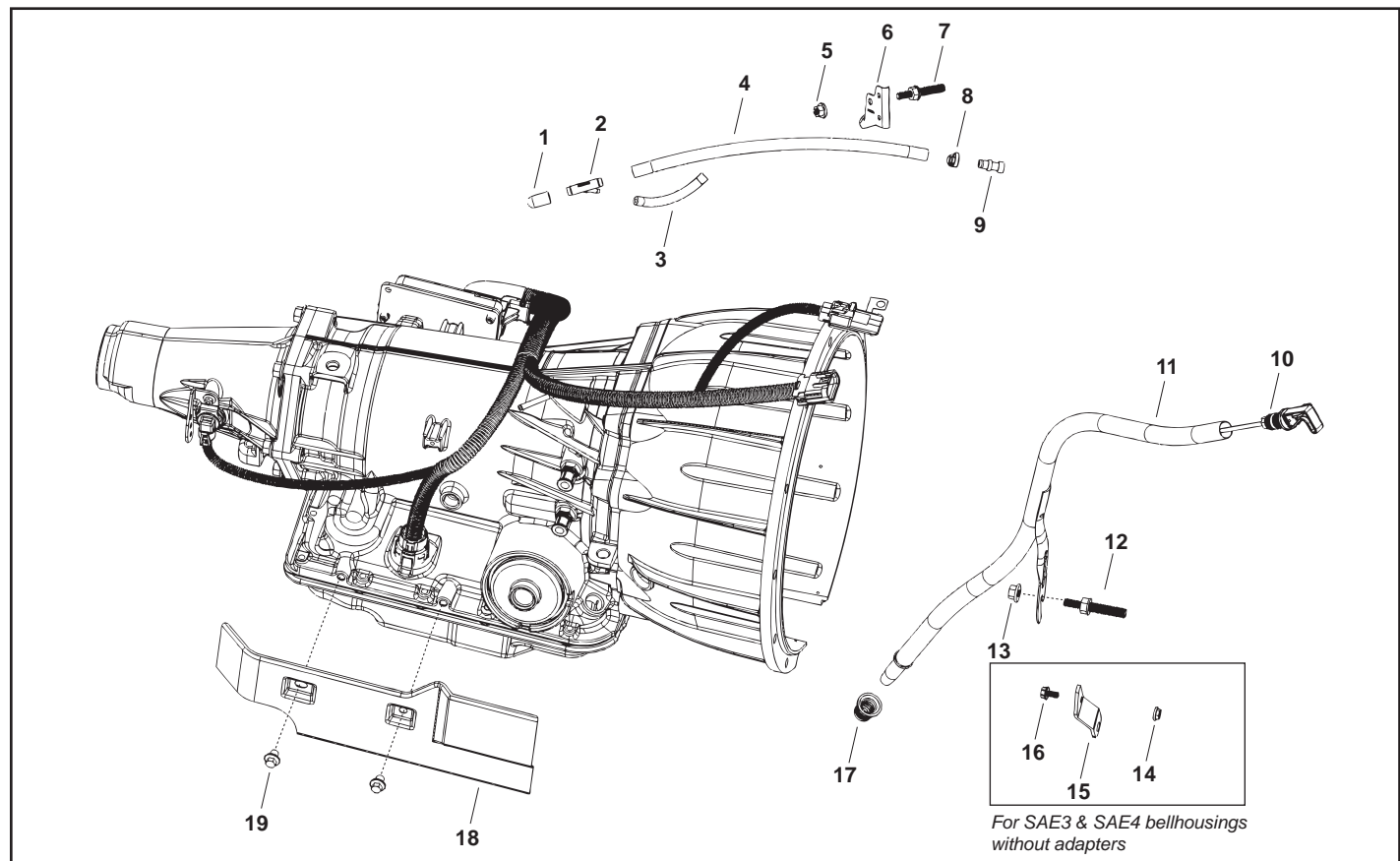
PCS Part #	Description	Contents	
TRN8380	GM 4-Speed Shift Arm Kit	2-3,8-9, unassembled	
TRN8360	GM 4-Speed TCM Bracket Kit	4,6-7, unassembled	



Ref	PCS Part #	Description	Qty
1	TCM4635	Transmission Harness	1
2	TRN7508	M10x1.50 Flanged Nut	1
3	TRN7670	4L70 Shifter Arm 2.944 (Shifter arm may be vehicle specific.)	1
4	TRN7507	M6x1.00x25mm Flanged	3
5	TCM2600	Transmission Controller	1
6	TRN7008	TCM Bracket	1
7	TRN7506	M8x1.25x12mm Flanged	2
8	TRN7505	M8x1.25x30mm Flanged	2
9	TRN7504	7mm Spacer, M8 Clearance	2

4LHD/4LHDX Mid-Transmission Accessories

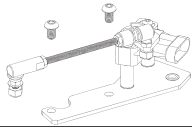
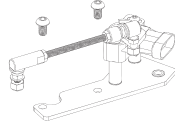
PCS Part #	Description	Contents
TRN7006	Vent Kit	1-6, 9 unassembled
TRN7011	Dipstick Kit	10-11, 17 unassembled
TRN7012	Shield Kit	18-19 unassembled

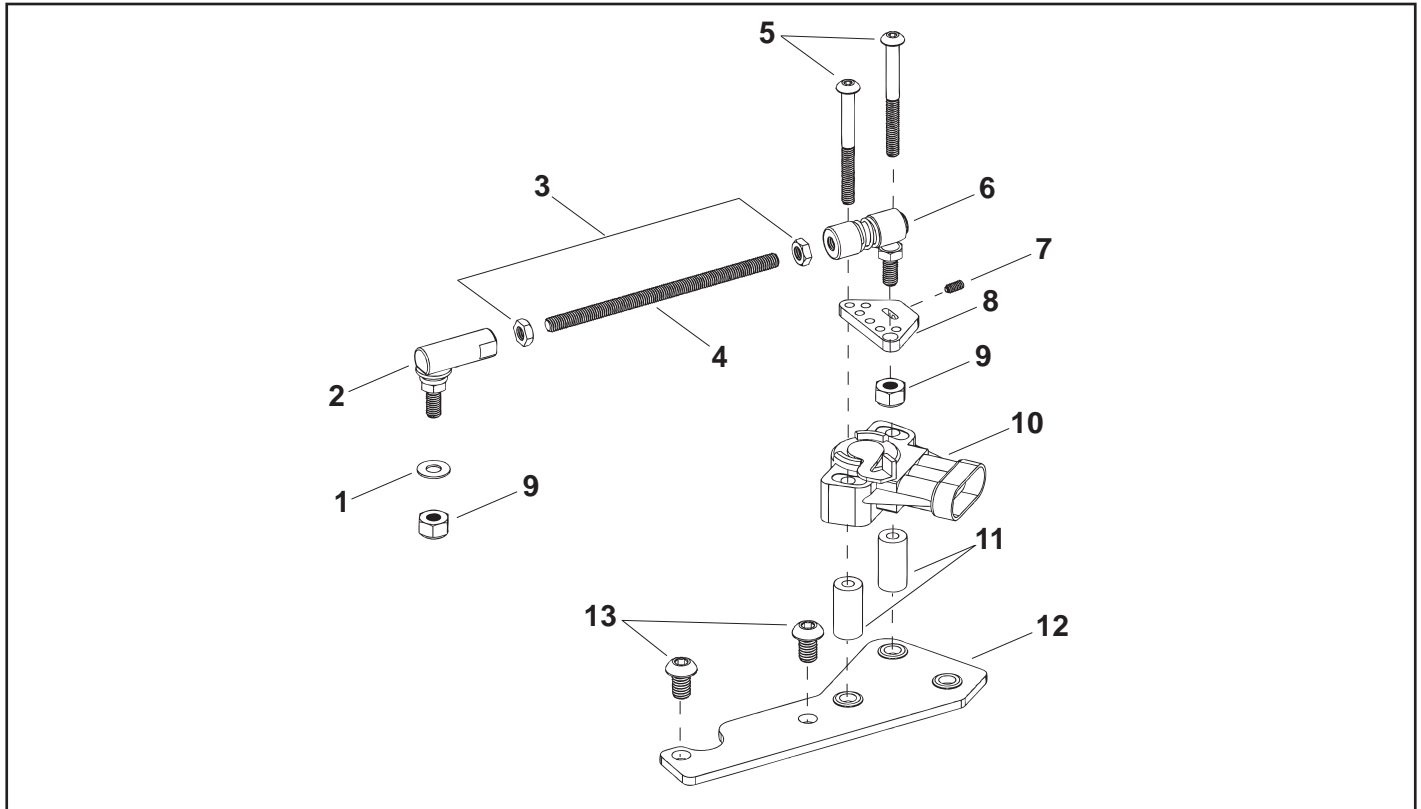


Ref	PCS Part #	Description	Qty
1	TRN7023	Large Vent Plug	1
2	TRN7024	Y Fitting	1
3	TRN7022	Small Vent Tube	1
4	TRN7025	Large Vent Tube	1
5	TRN7517	M8x1.25 Flanged Nut	1
6	TRN7028	Vent Mounting Bracket	1
7	TRN7519	M8/M10 Flanged Stud	1
8	TRN7027	Zip Tie w/ Hole Mount	1
9	TRN7026	Vent Cap	1
10	TRN7032	Dipstick	1

Ref	PCS Part #	Description	Qty
11	TRN7031	Dipstick Tube	1
12	TRN7519	M8/M10 Flanged Stud	1
13	TRN7518	M8 Cinch Nut	1
14	TRN7525	M6x1 Flanged Nut	1
15	TRN7010	SAE4 Dipstick Bracket	1
16	TRN7510	M6x1x12mm Flanged Bolt	1
17	TRN7030	Dipstick Seal	1
18	TRN7021	Heat Shield	1
19	TRN7506	M8x1.25 x12mm Flanged Bolt	2

4LHD/4LHDX TPS Kit

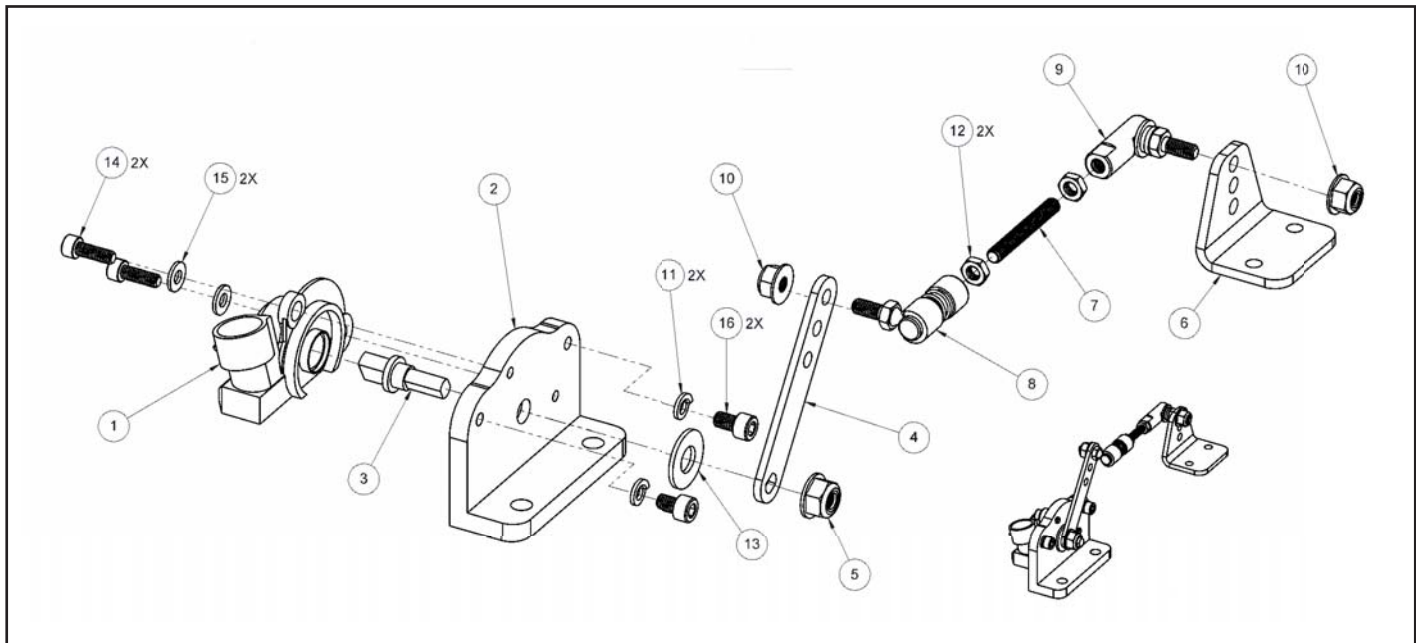
PCS Part #	Description	Contents	
TCM6030	Perkins TPS Kit (3.5" Threaded Rod)	1-13, assembled	
TCM6035	Cummins TPS Kit (2" Threaded Rod)	1-13, assembled	



Ref	PCS Part #	Description	Qty
1	HDW0412	#10 Stainless Steel Washer	1
2	HDW0416	Ball Joint Linkage	1
3	GSM0207	#10-32 Stainless Steel Nut	2
4	HDW0415	#10-32 3.5" Threaded Rod (Perkins)	1
4	HDW4020	#10-32 2" Threaded Rod (Cummins)	1
5	HDW0411	#8-32x1.75" BHCS Bolt	2
6	HDW0418	Ball Joint Linkage, Quick Disconnect	1
7	HDW0421	#4-40x0.25" Set Screw	1
8	HDW3002	TPS Linkage Adapter	1
9	HDW0422	#10-32 Nylon-Insert Hex Nut	2
10	SNS0002	Throttle Position Sensor	1
11	HDW0413	#8x0.75" Unthreaded Spacer	2
12	CSE9116	TPS Bracket	1
13	HDW0410	M6x1.0x10mm BHCS Bolt	2

4LHD/4LHDX TPS Adapter Kit

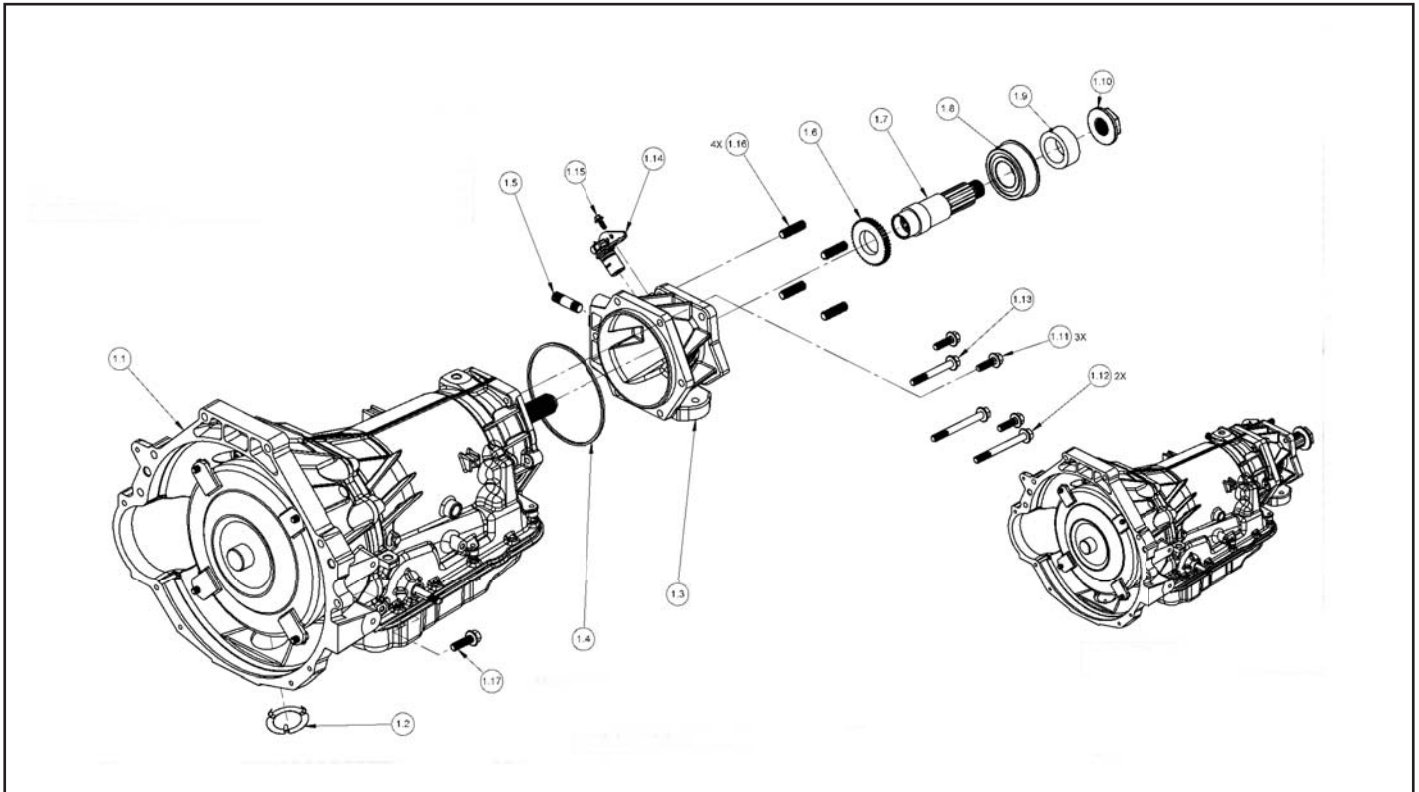
PCS Part #	Description	Contents
TCM6040	Remote Mount TPS Adapter Kit	1-16, assembled



Ref	PCS Part #	Description	Qty
1	SNS102T	TPS Sensor	1
2	HDW3100	Mounting Bracket, TPS	1
3	HDW3101	Shaft, TPS	1
4	HDW3102	Pivot Arm, TPS	1
5	HDW3110	1/4-20 Flanged Nylon Lock Nut	1
6	HDW3103	Pedal Mount, TPS	1
7	HDW3104	10-32 x 4" Threaded Rod	1
8	HDW0418	10-32 Quick Disconnect Ball Joint Linkage	1
9	HDW0416	10-32 Shielded Ball Joint Linkage	1
10	HDW0422	10-32 Nylon Lock Nut	2
11	HDW3111	#10 Split Lock Washer	2
12	HDW3112	10-32 x 5/16" Jam Nut	2
13	HDW3113	5/16" Flat Washer	1
14	HDW0200	8-32 x 1/2" SHCS	2
15	HDW3114	#8 Flat Washer	2
16	HDW3115	10-32 x 5/16" SHCS	2

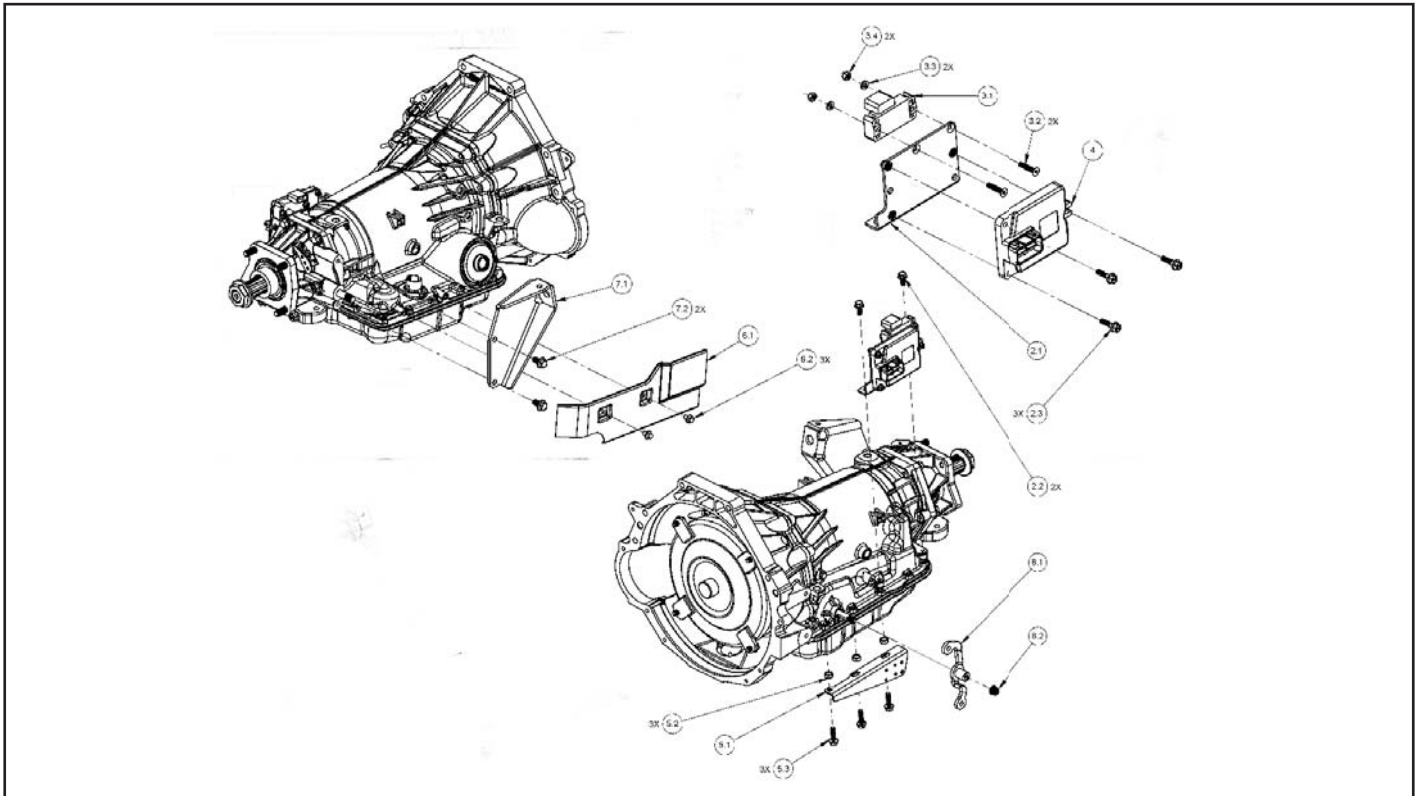
SECTION 2
4LC6 PARTS AND ACCESSORIES

4LC6 Transmission Package



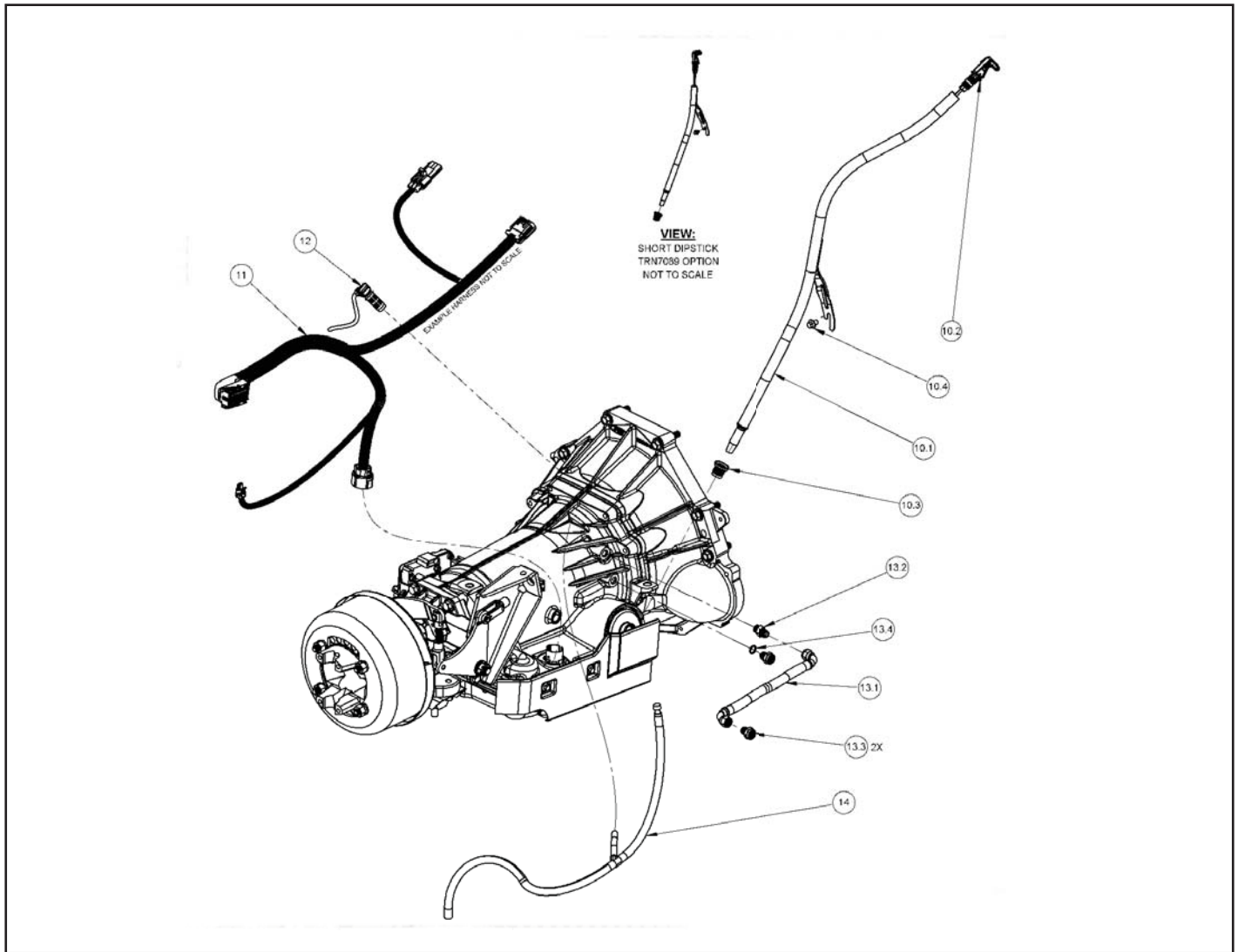
Ref	PCS Part #	Description	Qty
1	TRN4260	4LC6 w/Abuse Protection Valve Body	1
1	TRN4265	4LC6 w/Abuse Protection and Inching Valve Body	1
1.1	BEL2406	Bellhousing, C6 to 4LHD	1
1.2	BEL0010	Inspection Cover (65mm)	1
1.3	BEL2407	Extension Housing, C6 to 4LHD	1
1.4	TRN7062	Seal, 4LHD Extension Housing	1
1.5	TRN0204	9/16-12 x 3/4" TO 9/16-18 x 3/4" Adapter Stud	1
1.6	TPB5011	Speed Gear	1
1.7	BEL2408	C6 Output Shaft Adapter	1
1.8	TRN0226	5208 NR Ball Bearing	1
1.9	TRN0214	Spacer, C6 Output Shaft Adapter	1
1.10	TRN0255	1-20 Flanged Lock Nut	1
1.11	TRN7526	M10 x 1.5 x 35mm Flanged Hex Bolt	3
1.12	TRN0210	M10 x 1.5 x 100mm Flanged Hex Bolt	2
1.13	TRN0211	M10 x 1.5 x 80mm Flanged Hex Bolt	1
1.14	TRN7060	4LHD Output Speed Sensor	1
1.15	TRN7521	M6 x 1.0 x 16mm Flanged Hex Bolt	1
1.16	TRN0205	1/2-13 x 1/2" TO 1/2-20 x 3/4" Adapter Stud 1.75"	4
1.17	TRN7511	7/16-14 x 1.5" Flanged Hex Bolt	1

4LC6 Mid-Transmission Accessories



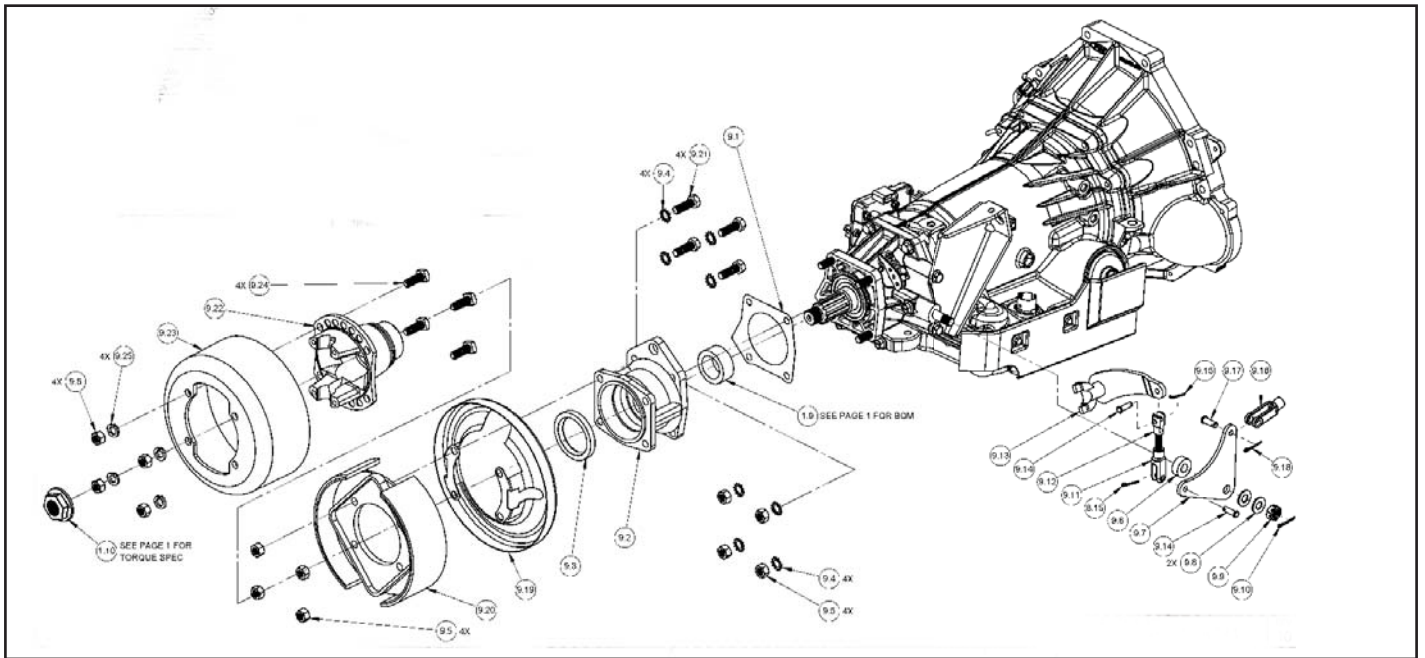
Ref	PCS Part #	Description	Qty
2	TRN8360	4LHD TCM Mounting Kit	1
2.1	TRN7008	4LHD TCM Bracket	1
2.2	TRN7506	Bolt, M8 x 1.25 x 12mm Flanged	2
2.3	TRN7507	M6 x 1.0 x 25mm Flanged Hex Bolt	3
3	TRN7086	C6 MAP Sensor Kit	1
3.1	SNS1001	1 Bar MAP Sensor	1
3.2	TRN0206	M6 x 1.0 x 30mm FHCS Bolt	2
3.3	TRN0208	M6 Washer	2
3.4	TRN0207	M6 x 1.0 Lock Nut	2
4	TCM2600	Transmission Control Module	1
5	TRN7087	C6 Shift Bracket Kit	1
5.1	TRN0220	C6 Shift Bracket	1
5.2	TRN7504	7mm Spacer, 8mm Clearance	3
5.3	TRN7505	M8 x 1.25 x 30mm Flanged Bolt	3
6	TRN7012	4LHD Heat Shield Kit	1
6.1	TRN7021	4LHD Heat Shield	1
6.2	TRN7506	Bolt, M8 x 1.25 x 12mm Flanged	2
7	TRN7088	C6 Brake Cable Bracket Kit	1
7.1	TRN0221	C6 Brake Cable Bracket	1
7.2	TRN7527	Bolt, M10 x 1.5 x 20mm Flanged	2
8	TRN7084	C6 Shift Arm Kit	1
8.1	TRN0227	C6 Shift Arm	1
8.2	TRN7203	M10 x 1.5 12 Point Nut	1

4LC6 Mid-Transmission Accessories



Ref	PCS Part #	Description	Qty
10	TRN7011	4LHD Dipstick Kit	1
10.1	TRN7031	Dispstick Tube, 4LHD	1
10.2	TRN7032	Dipstick Indicator, 4LHD	1
10.3	TRN7030	Dipstick Seal, 4LHD	1
10.4	TRN7506	Bolt. M8 x 1.25 x 12mm Flanged Hex	1
11	TCM4660	Transmissionn Harness	1
12	SNS1025	RPM Sensor, Engine Output	1
13	TRN7085	C6 Cooler Line Kit	1
13.1	TRN0223	C6 Flexible Cooler Line	1
13.2	TRN0212	#6ORB to JIC-6	1
13.3	TRN0213	#6AN Male to 1/2-20 IF Female	2
13.4	TRN0209	-906 O-Ring	1
14	TRN7006	Overflow Vent Kit, 4IHD	1

C6 Drum Brake



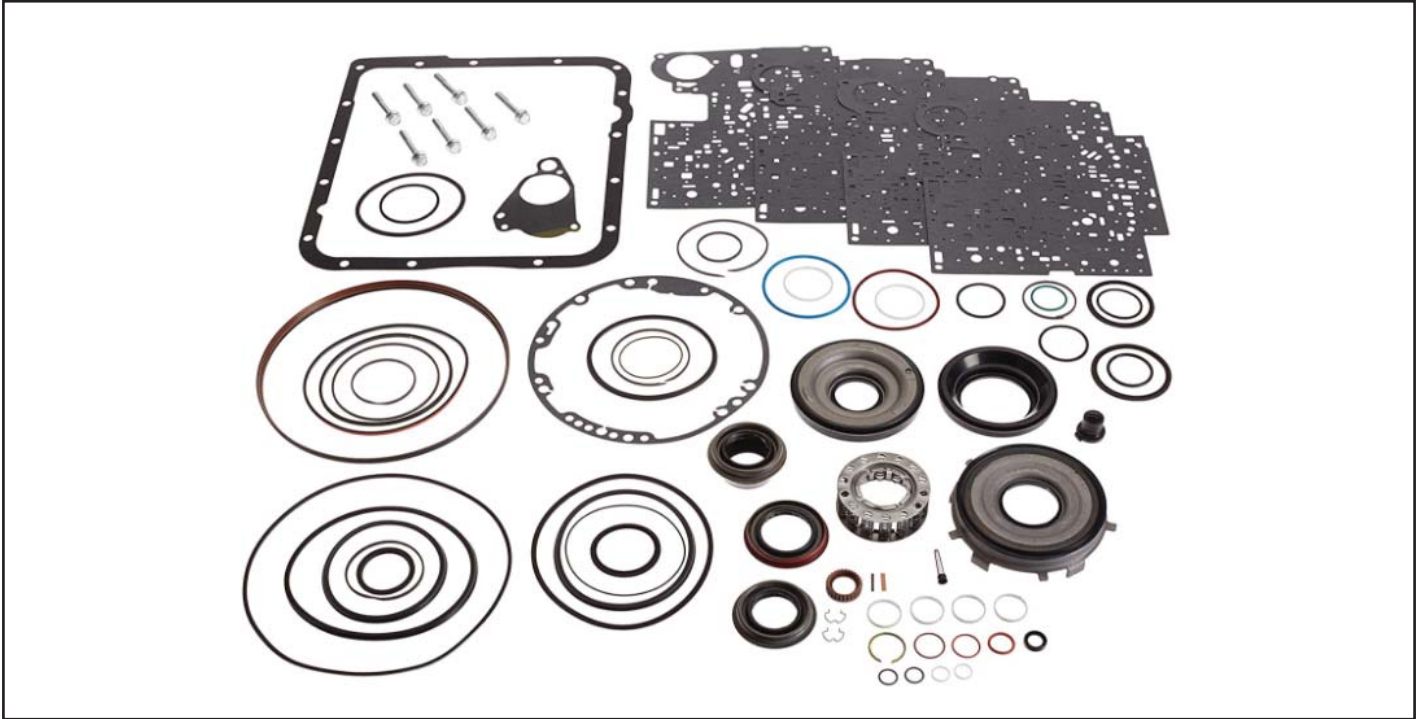
Ref	PCS Part #	Description	Qty
9	TRN8805	C6 Drum Brake Kit	1
9.1	TRN0230	Gasket, C6 Brake Housing	1
9.2	TRN0231	C6 Brake Housing	1
9.3	TRN0232	C6 Yoke Seal	1
9.4	TRN0233	1/2" Tooth Lock Washer	8
9.5	TRN0234	Nut, 1/2-13	12
9.6	TRN0235	Spacer, Bell Crank	1
9.7	TRN0236	Bell Crank	1
9.8	TRN0237	Flat Washer, 9/16"	2
9.9	TRN0238	Nut, 9/16-18 Slotted	1
9.10	TRN0239	Cotter Pin, 1/8 x 1"	1
9.11	TRN0240	Yoke End (FEMALE)	1
9.12	TRN0241	Yoke End (MALE)	1
9.13	TRN0242	Cam and Lever	1
9.14	TRN0243	Clevis Pin, C6 Brake Linkage, 5/16 x 1"	2
9.15	TRN0244	Cotter Pin, 3/32 x 3/4"	2
9.16	TRN0245	Clevis, C6 Brake Cable	1
9.17	TRN0246	Clevis Pin, C6 Brake Cable	1
9.18	TRN0247	Cotter Pin, 1/8 x 5/8"	1
9.19	TRN0248	Dust Shield, C6 Parking Brake	1
9.20	TRN0249	Shoe Assembly, C6 Parking Brake	1
9.21	TRN0250	Bolt, 1/2-13 x 1.5" Hex Head	4
9.22	TRN0251	C6 Yoke	1
9.23	TRN0252	Drum, C6 Parking Brake	1
9.24	TRN0253	Bolt, 1/2-13 x 1.44" Square Head	4
9.25	TRN0254	Split Washer, 1/2"	4

SECTION 3
SERVICE PARTS

Transmission Reseal Kit

Includes all external seals, excluding the sealed bearing for the output shaft.

PCS Part #	Description	Contents
TRN0800	4LHD Reseal Kit	Kit Contents Itemized Below



DISCLAIMER: THIS IMAGE IS FOR VIEWING PURPOSES ONLY. IT IS NOT AN ACCURATE REPRESENTATION OF THE KIT SOLD.

PCS Part #	OEM Part #	Description
	24236579	Cooler Fitting O-Rings
	24202535	Converter Seal
TRN7090	24208576	Pan Gasket/Filter Kit
	24226315	Pump to Case Wedge Seal
	12337931	Pump to Case Gasket
	24232065	2-4 Server Cover O-Ring
TRN0230	24208660	Case Extension to Case Seal
TRN7030	01259475	Fill Tube Grommet
	24208664	Pump Bolt O-Rings
	10475299	Speedometer Seal
	24213704	Trans Connector O-Ring
	8657163	Manual Shaft Seal

*NOTE: Sealed output bearing must be ordered separately, if needed (TRN7063).

Transmission Rebuild Kits

PCS Part #	Description	Contents
TRN0810	4LHD 258mm Rebuild Kit	Kit Contents Itemized Below
TRN0811	4LHDX 300mm Rebuild Kit	Kit Contents Itemized Below

NOTE: When ordering rebuild kits, separator plates must be ordered separately per your application. See below.

Separator Plates (NOT OPTIONAL)

PCS Part #	Description	Contents
TRN0600	Seperator Plate w/Gasket (GEN II)	Kit Contents Itemized Below
TRN0601	Seperator Plate w/Gasket (GEN III)	Kit Contents Itemized Below



DISCLAIMER: THIS IMAGE IS FOR VIEWING PURPOSES ONLY. IT IS NOT AN ACCURATE REPRESENTATION OF THE KIT SOLD.

PCS Part #	OEM Part #	Description
	19300335	Gasket/Seal Kit
	8654141	Output Shaft Retainer
	24238606	GM Clutch Plate Kit (258mm)
	24244616	GM Clutch Plate Kit (300mm)
	24236432	GM 2-4 Band
TRN7090	24208576	Filter

Transmission Master Rebuild Kit

PCS Part #	Description	Contents
TRN0820	4LHD Master Rebuild Kit	Kit Contents Itemized Below
TRN0821	4LHDX Master Rebuild Kit	Kit Contents Itemized Below

NOTE: When ordering rebuild kits, separator plates must be ordered separately per your application. See below.

Separator Plates (NOT OPTIONAL)

PCS Part #	Description	Contents
TRN0600	Seperator Plate w/Gasket (GEN II)	Kit Contents Itemized Below
TRN0601	Seperator Plate w/Gasket (GEN III)	Kit Contents Itemized Below



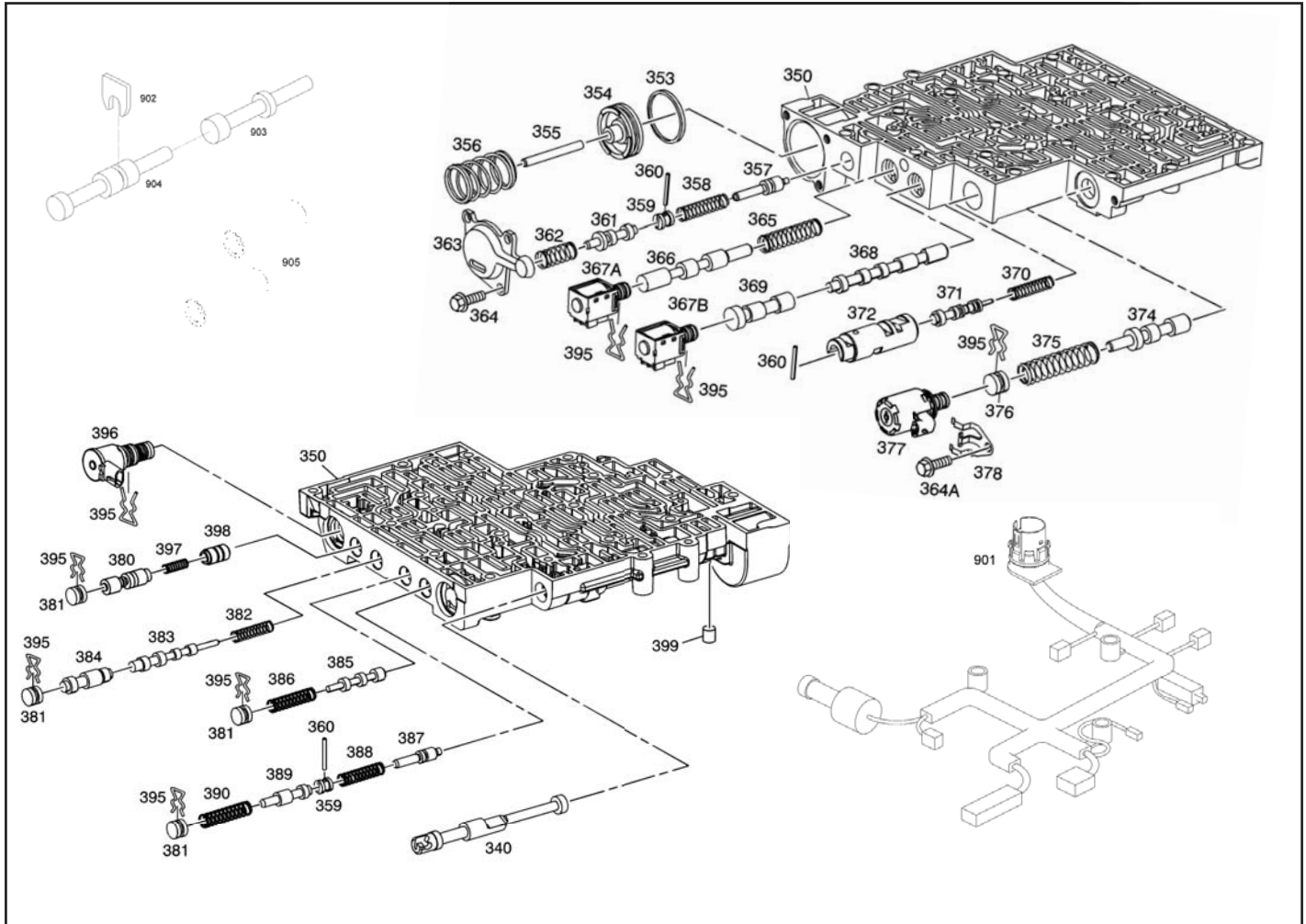
DISCLAIMER: THIS IMAGE IS FOR VIEWING PURPOSES ONLY. IT IS NOT AN ACCURATE REPRESENTATION OF THE KIT SOLD.

PCS Part #	OEM Part #	Description
	19300335	Gasket/Seal Kit
	24238603	GM Clutch Plate Kit (258mm)
	24244616	GM Clutch Plate Kit (300mm)
		Transmission Bushing Kit
TRN7090	24208576	Filter Kit
	24236432	GM 2-4 Band
	24232835	Forward Clutch Steels
	2405267	Reverse Steels
	8642154	Overrun Steels
	24205268,69,70	Lo/Reverse Steel

Valve Body Components

GEN II and GEN III Production Valve Bodies

PCS Part #	Description	Contents
TRN0830	GEN II Valve Body	Kit Contents Itemized Below
TRN0831	GEN III Valve Body	Kit Contents Itemized Below



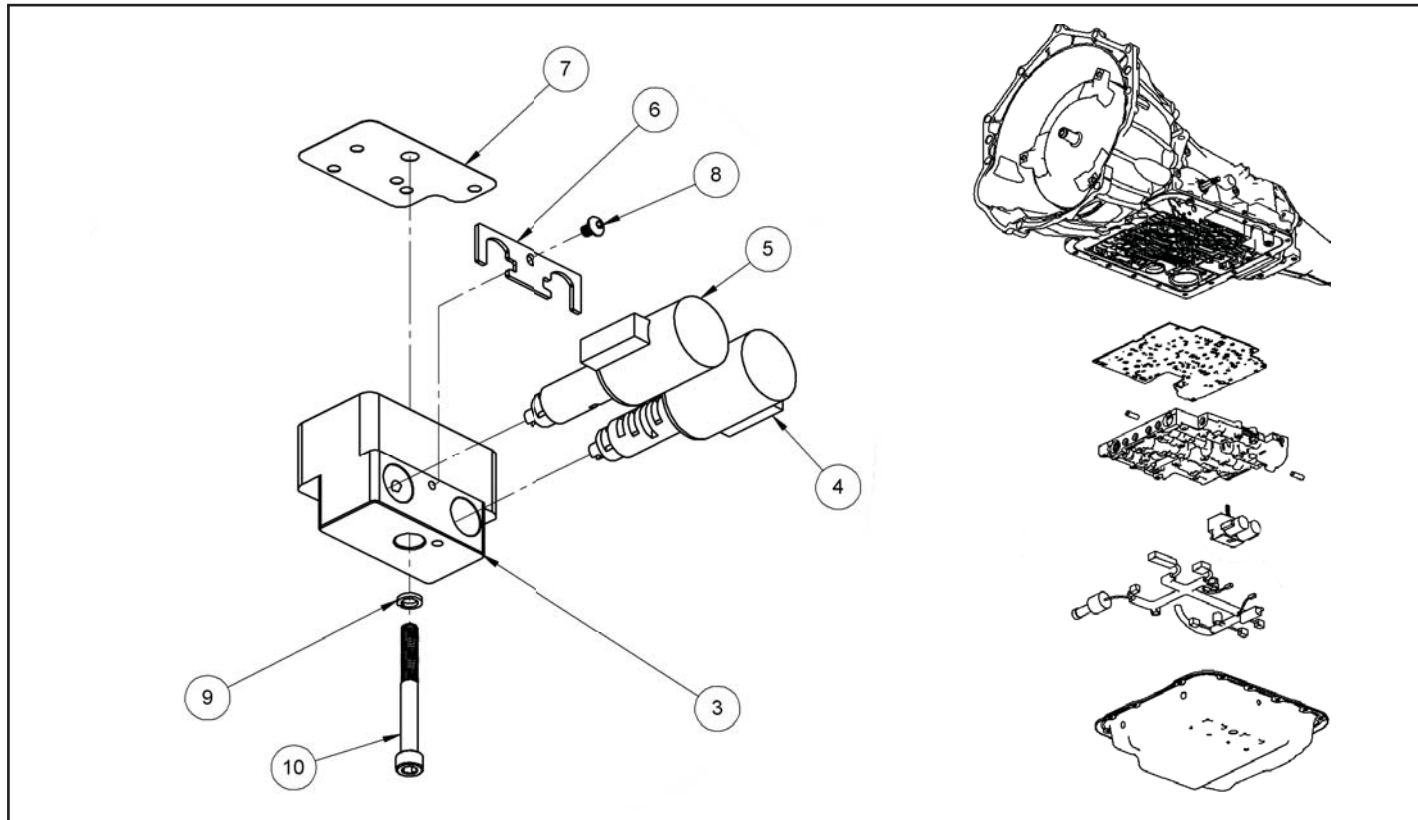
Ref	PCS Part #	OEM Part #	Description	Qty
350			Machined Valve Body, GEN II	1
350			Machined Valve Body, GEN III	1
353		24206508	Seal, Forward Clutch Accumulator Piston	1
354		24200127	Piston, Forward Clutch Accumulator	1
355			Pin, Forward Clutch Accumulator Piston	1
356		24208765	Spring, Forward Clutch Accumulator Piston	1
357			Valve, Forward Clutch Abuse	1
358			Spring, Forward Clutch Abuse Valve	1
359			Plug, Forward Reverse Clutch Abuse Valve Bore	1
360		8680765	Pin, Bore Plug	3

Ref	PCS Part #	OEM Part #	Description	Qty
340		24203484	Manual Valve	1
361			Valve, Low Overrun	1
362			Spring, Low Overrun Valve	1
363		24206368	Cover, Forward Clutch Accumulator	1
364		8680764	Bolt, Forward Clutch Accumulator and Solenoid Clip	4
365			Spring, 1-2 Shift Valve	1
366			Valve, 1-2 Shift	1
367a		24230298	Valve, 2-3 Shift Solenoid w/Seal	1
367b		24230298	Valve, 1-2, 3-4 Shift Solenoid w/Seal	1
368			Valve, 2-3 Shift	1
369			Valve, 2-3 Shuttle	1
370			Spring, 1-2 Accumulator Valve	1
371			Valve, 1-2 Accumulator	1
372			Sleeve, 1-2 Accumulator Valve	1
374			Valve, Actuator Feed Limiter	1
375			Spring, Actuator Feed Limiter Valve	1
376			Plug, Actuator Feed Limiter Valve Bore	1
377		24248893	Valve, Pressure Control Solenoid	1
378		8682007	Clamp, Pressure Control Solenoid Valve	1
380			Valve, Reg Apply	2
381			Plug, TCC Control Valve Bore	5
382			Spring, 4-3 Sequence Valve	1
383			Valve, 4-3 Sequence	1
384			Valve, 3-4 RLY	1
385			Valve, 3-4 Shift	1
386			Spring, 3-4 Shift Valve	1
387			Valve, Reverse Abuse	1
388			Spring, Reverse Abuse Valve	1
389			Valve, 3-2 Downshift	1
390			Spring, 3-2 Downshift Valve	1
395			Retainer, Shift Solenoid and Plug	9
397			Spring, Isolator Valve	1
398			Valve, Isolator	1
900			Seal, TCC Solenoid Valve (Included with 367)	2
901	VBM4070		Internal Harness, 4LHD Abuse Protection (GEN II)	1
901	VBM4075		Internal Harness, 4LHD Abuse Protection (GEN III)	1
902	VBM1047		Clip, 4LHD ERF	1
903	VBM1049		ERF Main Valve (2 Lobe)	1
904	VBM1048		ERF Main Valve (3 Lobe)	1
905	VBM1014		Abuse Pins, 4LHD Abuse Protection Valve Body	2

Valve Body Components

GEN II Auxillary Block

PCS Part #	Description	Contents
TRN0840	GEN II Auxillary Block	Kit Contents Itemized Below

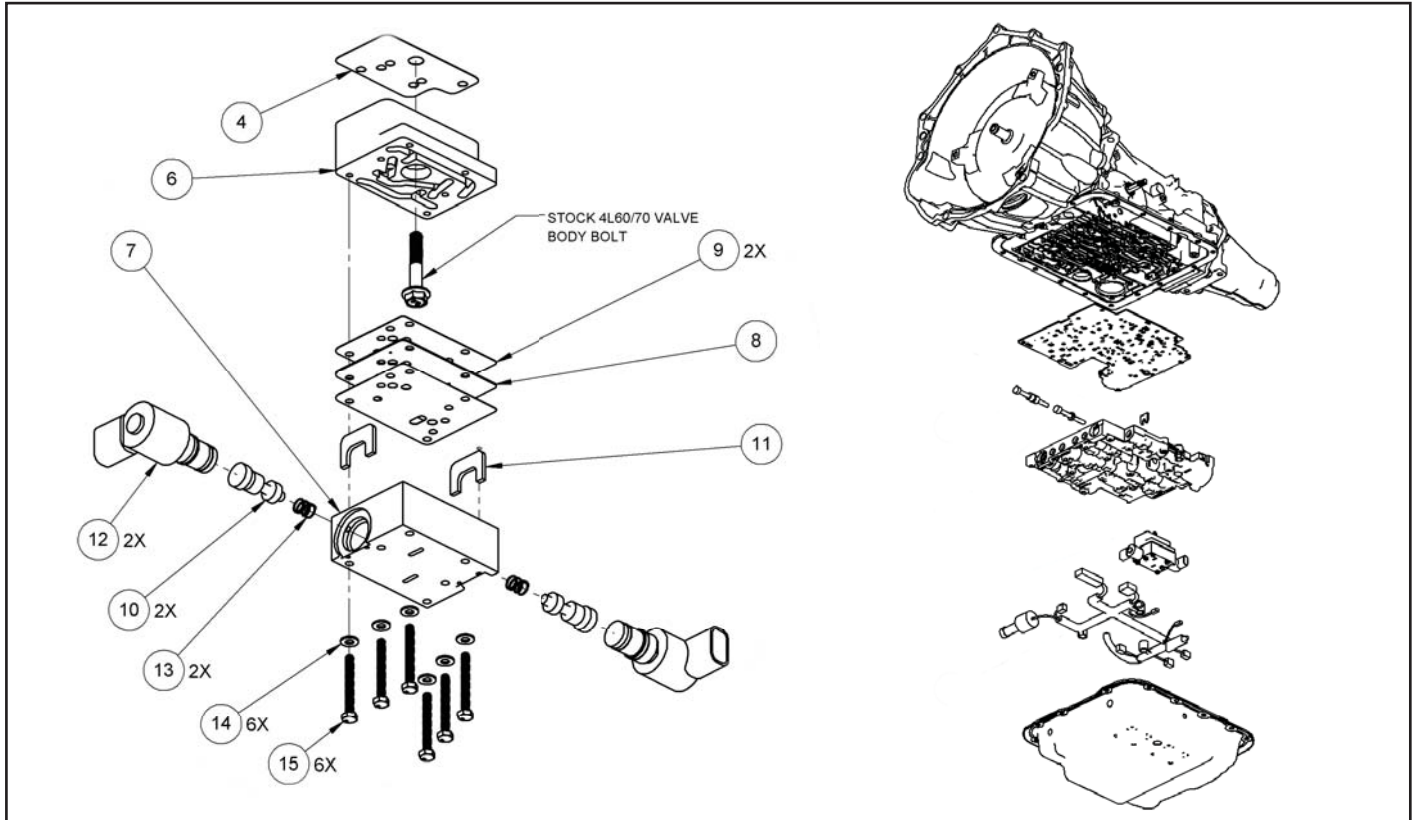


Ref	PCS Part #	Description	Qty
3	VBM1016	4L70 Abuse Protection Auxillary Valve Body Finish-Machined	1
4	HDW7225	Solenoid for 4L70 Abuse Protection Valve Body - Forward	1
5	HDW7230	Solenoid for 4L70 Abuse Protection Valve Body - Reverse	1
6	VBM1017	Aux Block Solenoid Clip	1
7	VBM1012	4L70 Abuse Protection Valve Body Gasket	1
8	VBM1101	M4 x 0.7 x 6mm BHCS	1
9	DYN124767	M6 Split Washer	1
10	VBM1015	M6 x 1 x 55mm SHCS	1

Valve Body Components

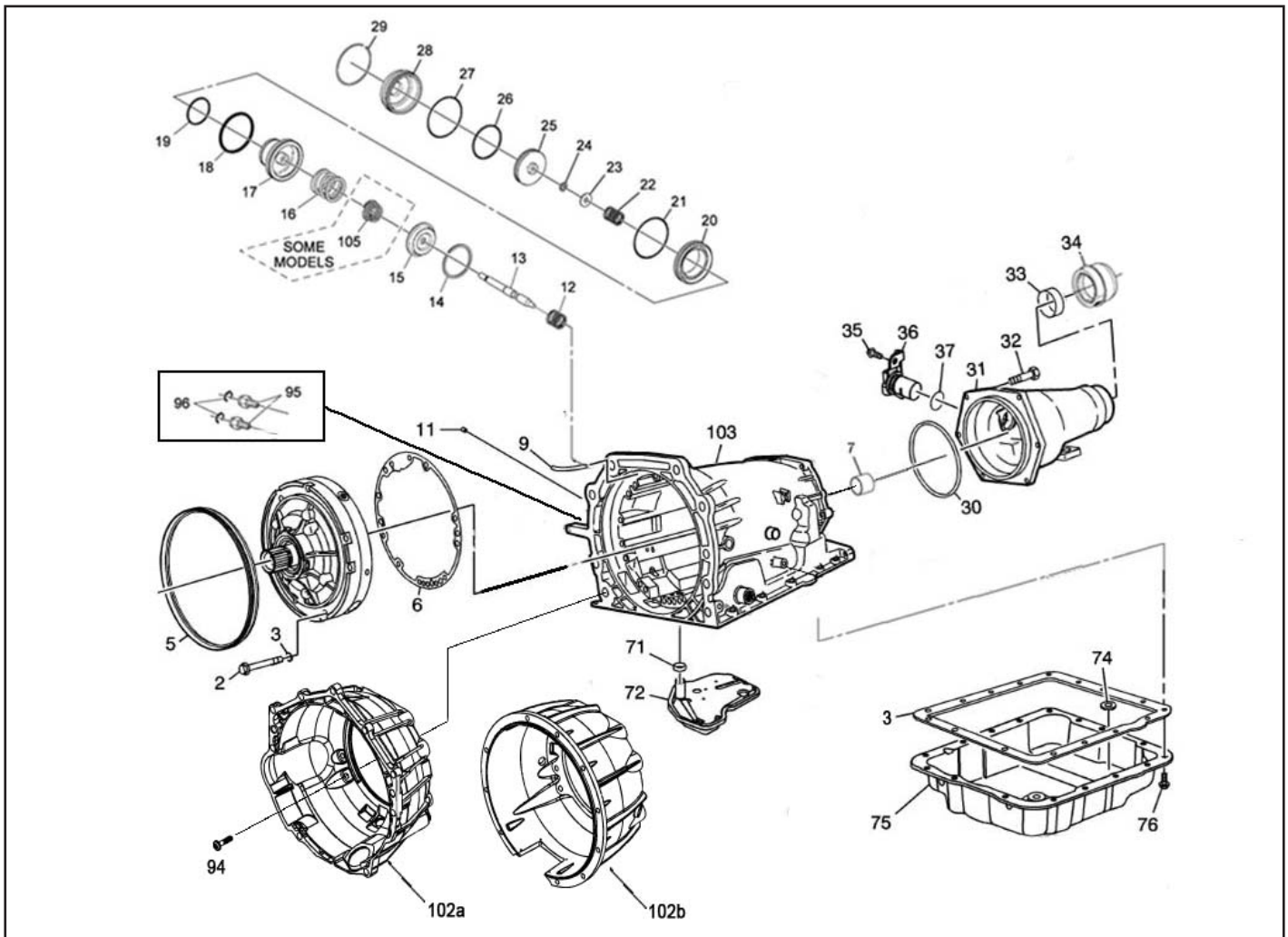
GEN III Auxillary Block

PCS Part #	Description	Contents
TRN0841	GEN III Auxillary Block	Kit Contents Itemized Below



Ref	PCS Part #	Description	Qty
6	VBM1041	Bottom Block - Aux Block Gen III	1
7	VBM1042	Top Block - Aux Block Gen III	1
8	VBM1043	Spacer Plate - Aux Block Gen III	1
9	VBM1044	Gasket - Aux Block Gen III Spacer Plate	2
10	VBM1045	Valve - Aux Block Gen III	2
11	VBM1046	Solenoid Clip - Aux Block Gen III	2
12	VBM1050	GM 4L80 TCC Solenoid	2
13	VBM1052	0.5 x 0.3 Compression Spring	2
14	VBM1054	M4 Flat Washer	6
15	VBM1051	M4 x 0.7 x 35mm Hex Head	6
16	VBM1022	Machined 4L70 Valve Body - APS Gen III	1

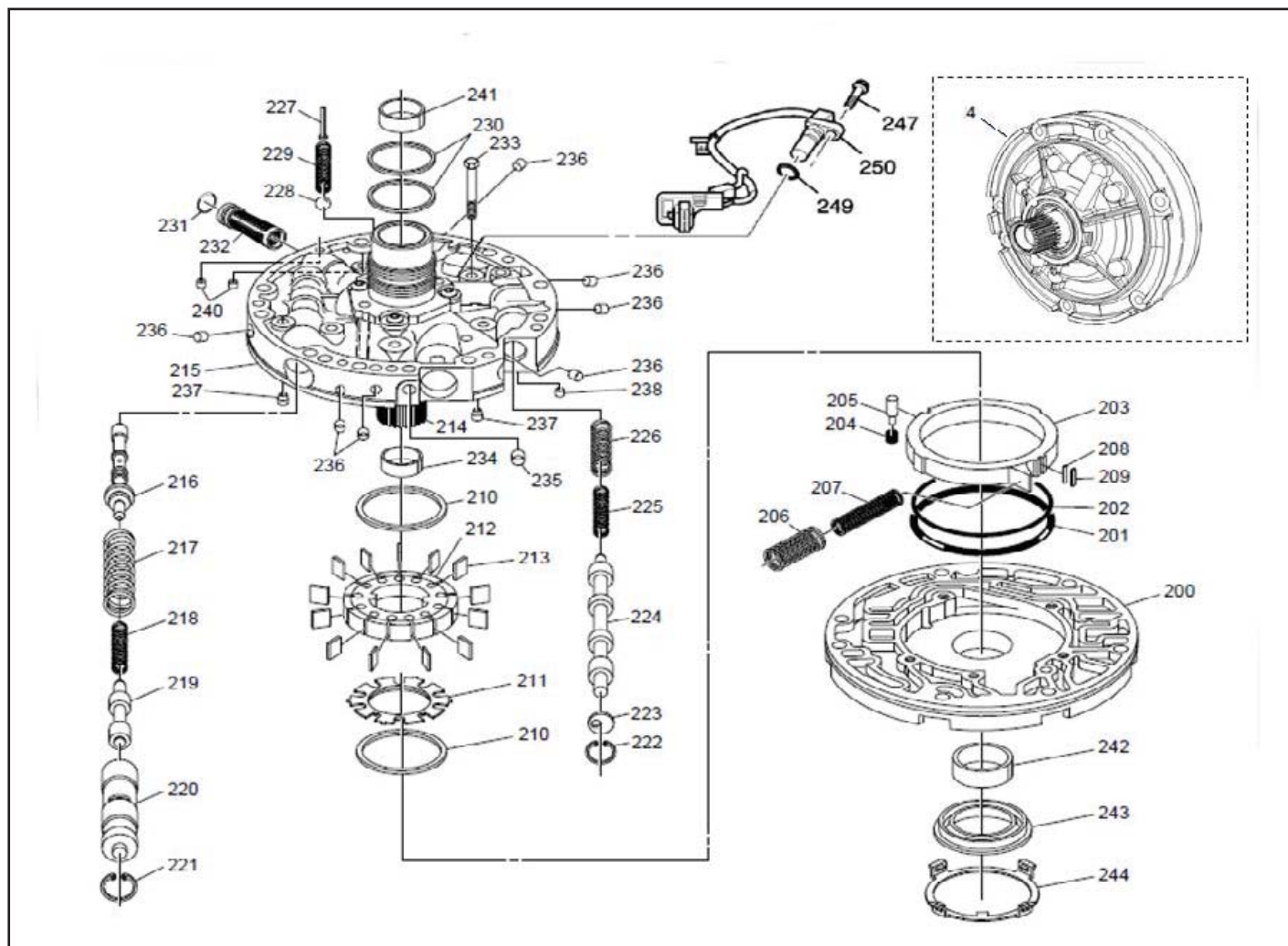
Case and External Components



Ref	PCS Part #	OEM Part #	Description
2		24233361	Fluid Pump Bolt w/Seal (24208664)
3		24208664	Seal, Fluid Pump Bolt
5		24226315	Wedge Type Pump Seal
6		12337931	Gasket, Fluid Pump
7		24241233	Bushing, Output Shaft
9		24202440	Pipe, Transmission Vent
11		8628864	Orifice, Forward Clutch Feed
12		8642273	Spring, 2-4 Band Servo
13		8680501	Pin, 2-4 Band Servo (No Grooves)
13		8680499	Pin, 2-4 Band Servo (1 Groove)
13		8680500	Pin, 2-4 Band Servo (2 Grooves)
14		8642105	Ring, 2-4 Band Servo
15		8642416	Retainer, 2-4 Band Servo
16		8642539	Spring, 2-4 Band Servo
17		8642613	Piston Kit, 2-4 Band Servo 2nd Apply w/Rings
17		24230441	Piston Kit, 2-4 Band Servo 2nd Apply

Ref	PCS Part #	OEM Part #	Description
18			Ring, 2-4 Band Servo Outer Fluid Seal
19			Ring, 2-4 Band Servo Inner Fluid Seal
20		8673041	Housing, 2-4 Band Servo 2nd Apply (.55)
20		24229157	Housing, 2-4 Band Servo 2nd Apply (.64)
21		8642112	Seal, 2-4 Band Servo 2nd Apply
22		24207758	Spring, 2-4 Band Servo Piston
23		8642107	Washer, 2-4 Band Servo Pin
24		9415640	Bowed Snap Ring Retainer
25		8642478	Piston, 2-4 Band Servo 4th Apply w/Ring
26		8642480	Ring, 2-4 Band Servo Piston Fluid Seal
27		8647351	Seal, 2-4 Band Servo O-Ring
28		8642979	Cover, 2-4 Band Servo w/O-Ring (8647351)
29		24232065	Retaining Ring, 2-4 Band Servo
30		24208660	Seal, Extension Housing
31		24241496	GM 2WD Extension Housing (Includes 30, 33, 34. <i>See previous sections for other options.</i>)
32		8680874	Bolt, Extension Housing (<i>See previous sections for other options.</i>)
33		24241501	Bushing, Output Shaft - GM 2WD (<i>See previous sections for other options.</i>)
34	TRN0902	24232325	Booted Seal, Output Shaft - GM 2WD
35		24200093	Bolt, Vehicle Speed Sensor
36		24225896	Vehicle Speed Sensor
37		10475299	Seal, Vehicle Speed Sensor
71		8685775	Seal, Fluid Filter
72		24208576	Fluid Filter
73		8654799	Gasket, Fluid Pan
74		29535617	Magnet, Fluid Pan
75		24240207	Fluid Pan
76		24231519	Bolt, Fluid Pan
94	TRN0501	24246172	Bolt, Bellhousing to Case
95		24236579	Fitting, Cooler Lines
96		24205103	Retainer, Cooler Lines
102a	BEL2403		Bellhousing, LS
102b	BEL2404		Bellhousing, SAE4
103			Transmission Case

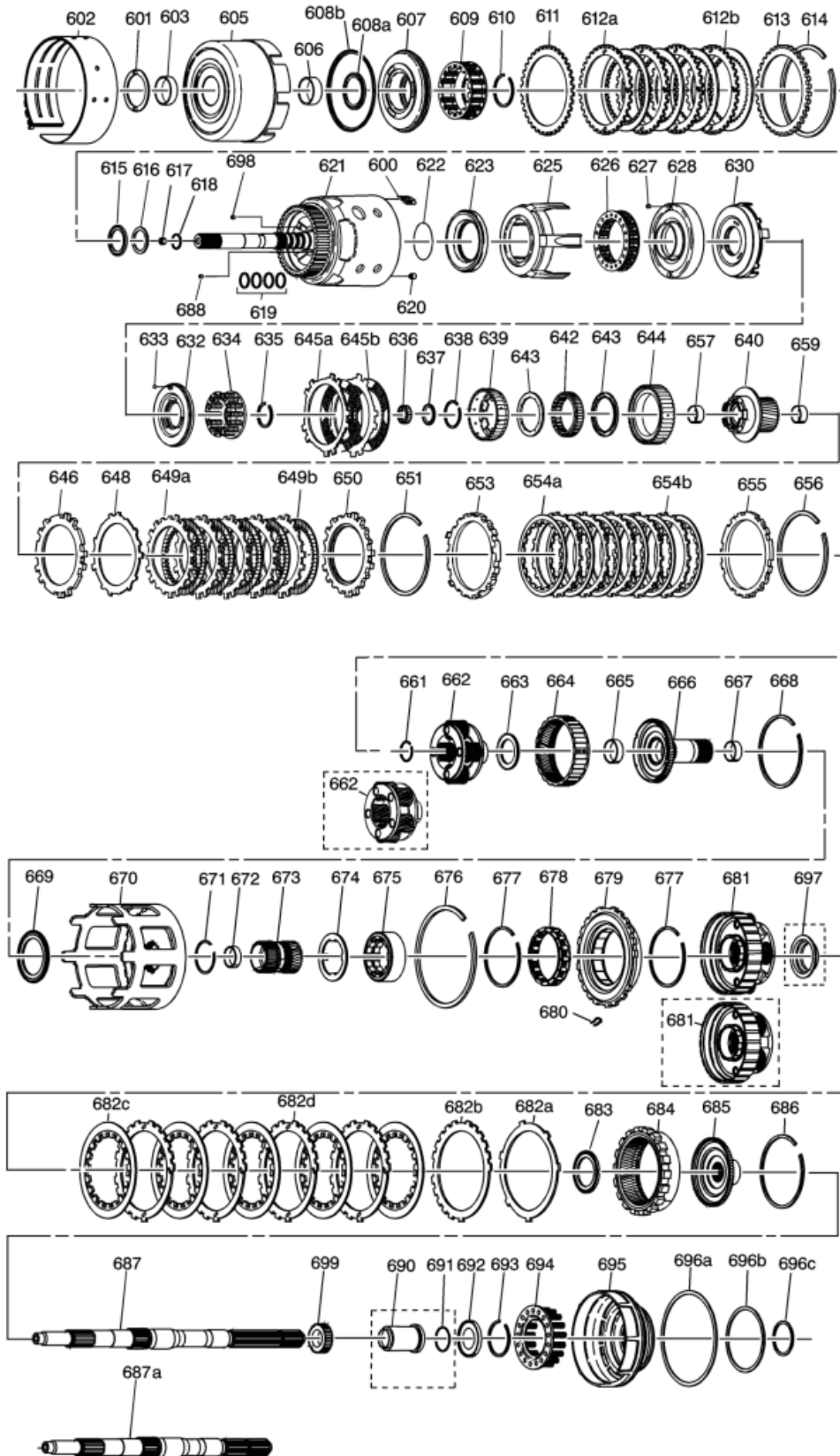
Pump Assembly Components



Ref	PCS Part #	OEM Part #	Description
4		24243732	Pump Assembly, 258mm Converter
4		24241461	Pump Assembly, 300mm Converter
200		24243749	Body, Fluid Pump
201			Ring, Fluid Pump Seal
202			Seal, Fluid Pump Slide
203		24212478	Slide, Fluid Pump (17.955mm)
203		24212479	Slide, Fluid Pump (17.968mm)
203		24212480	Slide, Fluid Pump (17.980mm)
203		24212481	Slide, Fluid Pump (17.994mm)
203		24212482	Slide, Fluid Pump (18.007mm)
204		8634098	Spring, Fluid Pump Slide Pivot Pin
205		8634097	Pin, Fluid Pump Slide Pivot
206			
207			
208			Support, Fluid Pump Slide Seal
209			Seal, Fluid Pump Slide

Ref	PCS Part #	OEM Part #	Description
210		24201144	Ring, Fluid Pump Vane
211		24205410	Guide, Fluid Pump Rotor
212		24219538	Rotor Package, Fluid Pump - 17.948mm (Includes 201, 202, 208, 209, 211, 213)
212		24219539	Rotor Package, Fluid Pump - 17.961mm (Includes 201, 202, 208, 209, 211, 213)
212		24219540	Rotor Package, Fluid Pump - 17.974mm (Includes 201, 202, 208, 209, 211, 213)
212		24219541	Rotor Package, Fluid Pump - 17.987mm (Includes 201, 202, 208, 209, 211, 213)
212		24219542	Rotor Package, Fluid Pump - 18.000mm (Includes 201, 202, 208, 209, 211, 213)
213		8631280	Vane, Fluid Pump
214			Stator Shaft (258mm Converter)
214			Stator Shaft (300mm Converter)
215		24236486	Cover Kit, Fluid Pump - 300mm (Includes 214, 216-224, 230, 234-238, 240, 241, 245, 277)
215		24236488	Cover Kit, Fluid Pump - 258mm (Includes 214, 216-224, 230, 234-238, 240, 241, 245, 277)
216		8684049	Valve, Pressure Regulator
217		8680682	Spring, Pressure Regulator Valve Outer
218		8680684	Spring, Pressure Regulator Valve Inner
219			Valve, Reverse Boost
220			Sleeve, Reverse Boost Valve
221		11503348	Retaining Ring, T/V Boost Valve Bushing
222		274267	Ring, Type TA INT RET
223		8634705	Stop, TCC Valve
224		24232106	Valve, TCC
225			
226			
227		8642619	Rivet, Pressure Relief Ball Valve Spring
228		147500	Valve, Pressure Relief Ball
229		8634106	Spring, Pressure Relief Ball Valve
230		8681292	Ring Seal, Reverse Input Clutch Housing
231		8642581	Seal, Fluid Pump Cover Screen
232		8642912	Screen, Fluid Pump Cover
233		11500921	Bolt, M8 x 1.25 x 30 Hex
234			Bushing, Input Shaft Front
235			
236			
237		8628732	Valve, Fluid Pump Cover Check Ball (Single Orifice)
237		8663890	Valve, Fluid Pump Cover Check Ball (Double Orifice)
238			
240		24203787	Orifice, 3-4 Clutch Ball
241			Bushing, Input Shaft Rear
242		24241470	Bushing, Torque Converter
243		24202535	Seal, Torque Converter
244		8654491	Retainer, Torque Converter Seal
245		24231039	Spring, Fluid Pump Slide
247		2420093	Bolt, Input Shaft Speed Sensor (M6 x 1.0 x 15mm)
247		8680764	Bolt, Input Shaft Speed Sensor (M6 x 1.0 x 17.7mm)
249		24234215	Seal, Input Shaft Speed Sensor
250		24244544	Sensor, Input Shaft Speed

Internal Components



Ref	PCS Part #	OEM Part #	Description
601		8642041	Thrust (Pump to Drum) Washer
602		24232236	2-4 Band Assembly
603		8642905	Reverse Input Clutch Front Bushing
604			
605		24245624	Reverse Input Clutch Housing and Drum Assembly
606		8628917	Reverse Input Clutch Rear Bushing
607		8667841	Reverse Input Clutch Piston Assembly
608 - a,b		8683960	Reverse Input Clutch Seals
609		24245066	Reverse Input Clutch Spring Assembly
610		8628059	Input Clutch Spring Retainer Ring
611		8663074	Input Clutch Belleville Plate
612a		24205267	Steel Turbulator Assembly
612b		8673605	Input Fiber Plate
613		24212464	Input Clutch Selective Backing Plate (6.518mm - 6.678mm)
613		24212463	Input Clutch Selective Backing Plate (5.787mm - 5.947mm)
613		24212465	Input Clutch Selective Backing Plate (7.409mm - 7.249mm)
614		8667022	Input Clutch Retaining Ring
615		8642066	Stator Shaft / Selective Washer Bearing Assembly
616		8642069	Selective Washer (2.21mm - 2.31mm)
616		8642074	Selective Washer (3.06mm - 3.16mm)
616		8642073	Selective Washer (2.89mm - 2.99mm)
616		8642067	Selective Washer (1.87mm - 1.97mm)
616		8642071	Selective Washer (2.55mm - 2.65mm)
616		8642068	Selective Washer (2.04mm - 2.14mm)
616		8642072	Selective Washer (2.72mm - 2.82mm)
616		8642070	Selective Washer (2.38mm - 2.48mm)
617		8685839	Valve, Turb Shaft Check Ball
618		24212987	Turbine Shaft O-Ring
619		8667035	Turbine Shaft Oil Seal Rings
620		24208262	Input Housing Retainer and Checkball Assembly
621		24230654	Input Housing (300mm Converter)
621		24242329	Input Housing (258mm Converter)
622			Forward Clutch Housing O-Ring Seal
623		24200290	3/4 Clutch Piston
624			
625		8685043	3/4 Clutch Apply Spring
626		8685244	3/4 Clutch Spring Assembly
627		24205181	Valve, Forward Clutch Housing Check Ball
628		24205298	Forward Clutch Housing
629			
630		24205272	Forward Clutch Piston
631			
632		24205273	Overrun Clutch Piston
633		7002117	Check Ball, 3/16"
634		24206085	Overrun Clutch Spring
635		11500692	Overrun Clutch Spring Retainer Snap Ring
636		8677268	Input Housing to Output Shaft Seal

Ref	PCS Part #	OEM Part #	Description
637		8642162	Input Sun Gear Bearing Assembly
638		8647083	Overrun Clutch Hub Retaining Snap Ring
639			Overrun Clutch Hub
640		24241479	FWD Sprag Clutch Inner Race and Input Sun Gear
641			
642		24241477	Forward Sprag Assembly
643			Forward Sprag Assembly Retainer Rings
644			Forward Clutch Outer Race
645a		8642154	Steel Turbulator Assembly
645b		24210766	Overrun Fiber Plate
646		24212462	Forward Clutch Apply Plate
647			
648		8647058	Forward Clutch Waved Plate
649a		8654325	Steel Turbulator Assembly
649b		24232517	Forward Fiber Plate
650		24212466	Forward Clutch Selective Backing Plate (4.56mm - 4.71mm)
650		24212469	Forward Clutch Selective Backing Plate (6.33mm - 6.48mm)
650		24212468	Forward Clutch Selective Backing Plate (5.74mm - 5.89mm)
650		24212467	Forward Clutch Selective Backing Plate (5.15mm - 5.30mm)
650		24212470	Forward Clutch Selective Backing Plate (6.90mm - 7.10mm)
651		8642170	Forward Clutch Backing Plate Retainer Ring
652			3/4 Clutch Steel Plate
653		8685044	3/4 Clutch Apply Plate
654-a,b		24238600	3/4 Fiber Plate and Steel Turbulator Assembly (258mm Converter)
654-a,b		24244615	3/4 Fiber Plate and Steel Turbulator Assembly (300mm Converter)
655		24212461	3/4 Clutch Selective Backing Plate (5.68mm - 5.88mm)
655		24212459	3/4 Clutch Selective Backing Plate (3.90mm - 4.10mm)
655		24212460	3/4 Clutch Selective Backing Plate (4.79mm - 4.99mm)
655		24217453	3/4 Clutch Selective Backing Plate (4.18mm, Service Lane)
655		24217517	3/4 Clutch Selective Backing Plate (6.21mm, Service Lane)
655		24217450	3/4 Clutch Selective Backing Plate (3.67mm, Service Lane)
655		24217516	3/4 Clutch Selective Backing Plate (5.61mm, Service Lane)
655		24212460	3/4 Clutch Selective Backing Plate (4.79mm - 4.99mm)
656		8663636	3/4 Clutch Backing Plate Retainer Ring
657		24241493	Input Sun Gear Front Bushing
658			
659		24241493	Input Sun Gear Rear Bushing
660			
661		8654141	Input Carrier Retainer
662		24241241	Input Carrier Assembly (4-Pinion)
662		24241248	Input Carrier Assembly (5-Pinion)
663		24236092	Reaction Shaft Thrust Bearing Assembly
664		24219410	Input Internal Gear
665		8642908	Reaction Carrier Shaft Front Bushing
666		24241255	Reaction Carrier Shaft Assembly
667		8642907	Reaction Carrier Shaft Rear Bushing
668		8642201	Reaction Carrier Shaft / Internal Gear Retainer

Ref	PCS Part #	OEM Part #	Description
669		8642331	Reaction Sun Gear Shell Thrust Bearing
670		24229604	Reaction Sun Shell
670		19258702	Reaction Sun Shell (Bulk Package, Qty 6 - 24229604)
671		8681553	Reaction Sun Gear Retaining Ring
672		8642909	Reaction Sun Bushing
673		24241250	Reaction Sun Gear
674		8642331	Reaction Sun Gear Thrust Washer
675		8673300	Low and Reverse Roller Clutch Race
676		24200278	Low and Reverse Support Retainer Ring
677		6261051	Low and Reverse Roller Retaining Ring
678		24217231	Low and Reverse Roller Clutch Assembly
679		24238102	Low and Reverse Clutch Support
680		6261415	Low and Reverse Clutch Support Retainer Spring
681		24241237	Reaction Carrier Assembly (4-Pinion)
681		24241244	Reaction Carrier Assembly (5-Pinion)
682a		8676362	Lo/REV Clutch Wave Plate
682b		24205269	Lo/REV Clutch Steel Turbulator Plate (1.168mm - 1.314mm)
682b		24205270	Lo/REV Clutch Steel Turbulator Plate (2.198mm - 2.344mm)
682c		24216946	Lo/REV Fiber Plate
682d		24205268	Lo/REV Clutch Steel Turbulator Plate (1.684mm - 1.829mm)
683		24217328	Reaction Carrier/Support Thrust Bearing Assembly
684		24233619	Internal Reaction Gear
685		24225931	Internal Reaction Gear Support
686		8642220	Retaining Ring, Internal Reaction Gear Support
687			Output Shaft (160.6mm)
687a		24238743	Output Shaft (338mm)
687		24238748	Output Shaft (462mm)
688			
689			
690			Output Shaft Sleeve
691			Output Shaft Seal
692		24217327	Reaction Gear Support Bearing
693		8647337	Low and Reverse Clutch Retainer Ring
694		8642227	Low and Reverse Clutch Spring Assembly
695		8685549	Low and Reverse Clutch Piston
696 a,b,c		8648987	Low and Reverse Clutch Seals
697			
698			
699		24202711	Internal Transmission Speed Sensor Rotor